

Sterillite valves



Sterillite valves

Features and benefits

- Patented radial diaphragm, eliminates entrapment for easy cleaning
- Simple Tri-Clamp assembly makes maintenance 80% faster
- No readjustment or retightening
- Truly flush mount design with no gaskets, bolts or seams
- Integrated travel stops



Sterillite valves performance

Sterillite valve flow rates		
Size	Cv at 0.07 bar (1 psi)	
inches	LPM	USGPM
0.75	39.7	10.5
1.00	59.8	15.8
1.50	180	47.5
2.00	272	72
2.50	643	170
3.00	1143	302

Technical specifications

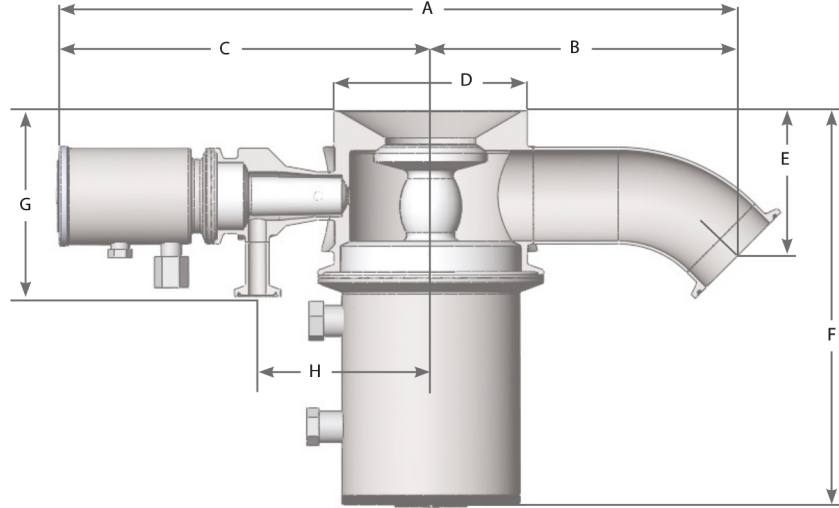
	Sterillite valves
Mounting type	Flush
Flow rate	59.8 - 1,143 l/m
Flow rate	15.8 - 302 USGPM
Sizes	1.0", 1.5", 2.0", 2.5", 3.0"
Outlet connections	Buttweld, Sanitary flange
Max. operating pressure	17 bar
Max. operating pressure	250 psi
Operating temperature range	-51 °C to 177 °C
Operating temperature range	-60 °F to 350 °F
Compatible actuators	Autoclavable manual, Compact, Normally closed, Normally open pneumatic
Compatible diaphragms	EPDM, Silicone, Silicone plus, Viton
Surface finish options	Electropolished, Max 10 micro-inch Ra (0.25 µm Ra), Max 15 micro-inch Ra (0.375 µm Ra), Max 20 micro-inch Ra (0.5 µm Ra)
Certification and compliance	ISO 9001
Standards	ASME BPE, CE-PED
Weight	1.36 - 6.03 kg
Weight	3 - 13.29 lbs

Temperature range depends on diaphragm material.

Materials of construction

Sterillite valves	
Material	Hastelloy, Stainless steel 316L, Stainless steel AL-6XN

Sterillite valves dimensions



TFXX-210-X: Flush-mounted* Sterillite valve

Size	A		B		C - with Pneumatic Actuator		C - with Manual Actuator		D		E		F		G		H	
	inches	mm	in	mm	in	mm	in	mm	in	mm	in	mm	in	mm	in	mm	in	
0.75	113	4.44	52	2.06	173	6.82	148	5.81	76	2.98	76	2.98	76	2.98	85	3.34	73	2.89
1.00	253	9.98	96	3.78	208	8.19	186	7.34	76	2.98	62	2.45	133	5.25	85	3.34	73	2.89
1.50	297	11.71	132	5.19	184	7.26	166	6.53	76	2.98	64	2.53	146	5.75	91	3.59	81	3.17
2.00	339	13.33	163	6.43	271	10.66	212	8.34	102	4.00	95	3.75	185	7.30	98	3.84	91	3.59
2.50	200	7.89	192	7.54	271	10.66	212	8.34	125	4.91	125	4.91	125	4.91	110	4.34	111	4.38
3.00	430	16.92	235	9.24	381	15.00	284	11.17	125	4.91	133	5.22	212	8.34	110	4.34	111	4.38

Weights

Weights							
Size	Valve Body		Total Weight with Manual Actuator		Total Weight with Pneumatic Actuator		
inches	kg	lb	kg	lb	kg	lb	
0.75	1.40	3.10	3.06	6.75	3.61	7.95	
1.00	1.36	3.00	3.02	6.65	3.56	7.85	
1.50	2	4.43	3.67	8.08	4.21	9.28	
2.00	3.45	7.60	6.24	13.75	6.99	15.40	
2.50	6.03	13.29	8.80	19.39	16.35	36.04	
3.00	5.98	13.18	8.75	19.28	16.30	35.93	

Product codes

Part	Model Code	Part Description
0.75	TF08-210-X*	Radial valve 1", Sterillite EN 1.4435 body/EN1.4404 fittings, Fits 0.375" thick or less head, 0.75" 45° clamp-end outlet, Flush diaphragm & 0.5" satellite valve, Flush diaphragm at 180°, 0.5" Straight Clamp, Ra surface finish*, electropolished and passivated, includes body/actuator clamp
1.0	TF10-210-X*	Radial valve 1", Sterillite EN 1.4435 body/EN1.4404 fittings, Fits 0.375" thick or less head, 1" 45° clamp-end outlet, Flush diaphragm & 0.5" satellite valve, Flush diaphragm at 180°, 0.5" Straight Clamp, Ra surface finish*, electropolished and passivated, includes body/actuator clamp
1.5	TF17-210-X*	Radial valve 1.5", Sterillite EN 1.4435 body/EN1.4404 fittings, Fits 0.375" thick or less head, 1.5" 45° clamp-end outlet, Flush diaphragm & 0.5" satellite valve, Flush diaphragm at 180°, 0.5" Straight Clamp, Ra surface finish*, electropolished and passivated, includes body/actuator clamp
2.0	TF20-210-X*	Radial valve 2", Sterillite EN 1.4435 body/EN1.4404 fittings, Fits 0.375" thick or less head, 2" 45° clamp-end outlet, Flush diaphragm & 0.5" satellite valve, Flush diaphragm at 180°, 0.5" Straight Clamp, Ra surface finish*, electropolished and passivated, includes body/actuator clamp
3.0	TF25-210-X*	Radial valve 3", Sterillite EN 1.4435 body/EN1.4404 fittings, Fits 0.375" thick or less head, 2.5" 45° clamp-end outlet, Flush diaphragm & 0.5" satellite valve, Flush diaphragm at 180°, 0.5" Straight Clamp, Ra surface finish*, electropolished and passivated, includes body/actuator clamp
0.75	TF30-210-X*	Radial valve 3", Sterillite EN 1.4435 body/EN1.4404 fittings, Fits 0.375" thick or less head, 3" 45° clamp-end outlet, Flush diaphragm & 0.5" satellite valve, Flush diaphragm at 180°, 0.5" Straight Clamp, Ra surface finish*, electropolished and passivated, includes body/actuator clamp
*Note: X represents one of the following options- 1 = 20 micro-inch Ra surface finish 2 = 15 micro-inch Ra surface finish 3 = 10 micro-inch Ra surface finish		

Disclaimer: The information contained in this document is believed to be correct but ASEPCO accepts no liability for any errors it contains and reserves the right to alter specifications without notice. It is the user's responsibility to ensure product suitability for use within their application. Radial diaphragm is a trademark of ASEPCO Corporation. Tri-Clamp is a registered trademark of Alfa Laval Corporate AB. A member of Watson-Marlow Fluid Technology Solutions, A Spirax-Sarco Engineering plc company.

wmfts.com/global



01 August 2024