

840 series hygienic pump

800 series process pumps

Features and benefits

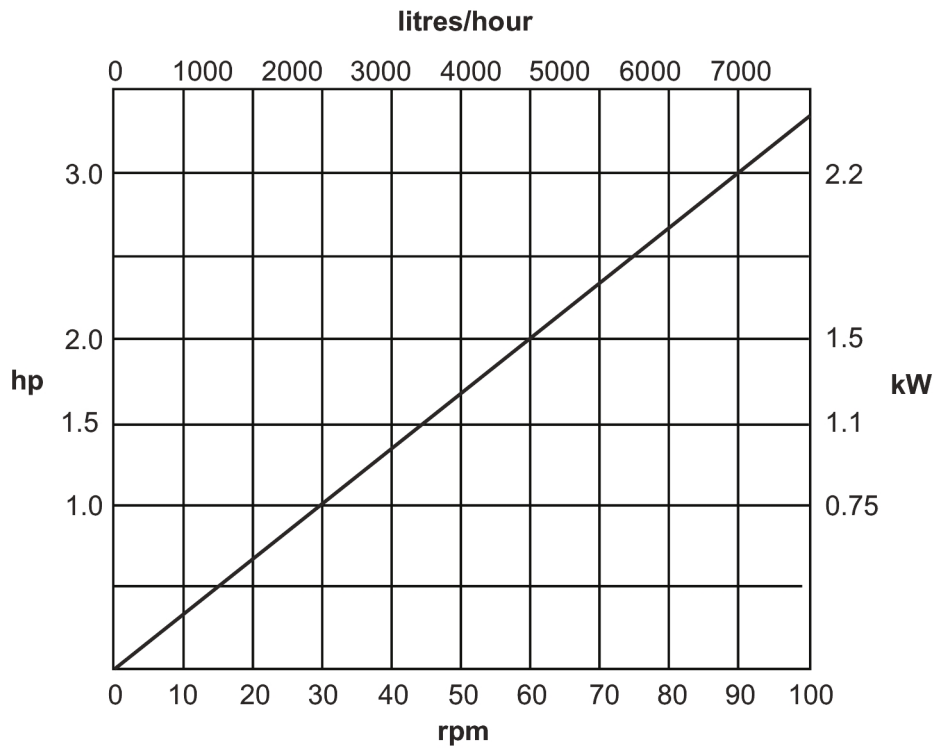
- Maximum flow rate of 8140 L/h and pressures up to 3.5 Bar
- CIP/SIP sterilization at full velocity with no bypass required
- Self-priming and dry running, with no valves, seals or glands
- Door proximity sensor, to enable safe access during tube changes or cleaning
- Bioprene elements with hygienic stainless steel connectors certified to 3.1.B BS/EN 10204
- Ideal for viscous or shear sensitive products
- Motor/gearbox and control options include fixed speed, variable speed with mechanical variators, fixed speed motors with inverter control for 4 mA to 20 mA and 0 V to 10 V process control, remote stop/start and reverse and frequency output
- Pumpheads to accept B5 output flange-mounted gear motors in a range of single and three phase fixed and electronic variable speeds



840 series hygienic pump performance

840 series

Speed (rpm)	Flow rate (L/h)	Fitted motor power (kW)
8	653	0.55
10	790	0.55
13	1045	0.55
16	1277	0.55
22	1756	0.75
25	1995	0.75
29	2314	1.1
33	2649	1.1
36	2905	1.1
42	3352	1.1
47	3751	1.5
52	4150	1.5
58	4628	1.5
65	5187	1.5
73	5825	2.2
79	6304	2.2
89	7102	2.2
102	8140	3



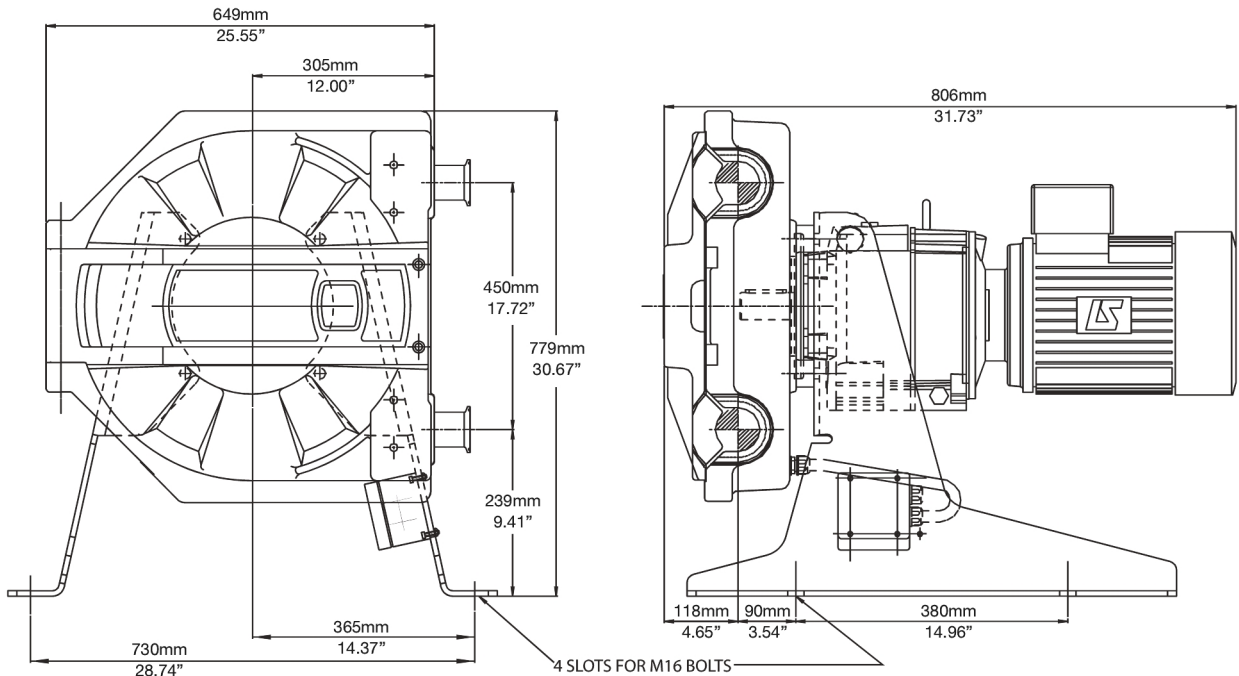
Technical specifications

840 series hygienic pump	
Max. flow rate	8140 L/h
Min. flow rate	653 L/h
Max. operating pressure	3.5 bar
Ambient Temperature Range	5 to 40 °C
Ambient Temperature Range	41 to 104 °F
Fluid temperature range	0 to 80 °C
Fluid temperature range	-32 to 175 °F
Motor types	Fixed speed motor, Variable speed motor
Min. operating speed	8 rpm
Max. operating speed	102 rpm
Noise	<75dB(A) at 1m
Weight	130 kg

Materials of construction

840 series hygienic pump	
Pumphead body assembly	Aluminum alloy with epoxy polyester powder coat finish
Pumphead roller assembly	Stainless steel 316
Pumphead rotor assembly	Aluminum alloy with epoxy polyester powder coat finish, Stainless steel 316
Fixings	Stainless steel, Zinc plated high tensile steel
Support frame	Stainless steel 304

840 series hygienic pump dimensions



Disclaimer: All flow rates shown were obtained pumping water at 20 °C (68 °F) with zero suction and delivery heads. Watson-Marlow, Pumpsil, PureWeld XL, Bioprene and Marprene are trademarks of Watson-Marlow Limited. Disclaimer: The information contained in this document is believed to be correct but Watson-Marlow Limited accepts no liability for any errors it contains, and reserves the right to alter specifications without notice. GORE and STA-PURE are trademarks of W. L. Gore & Associates. Please state the product code when ordering pumps and tubing.

wmfts.com/global



05 July 2024