

# 620Di and 620DiN with 620R pumphead

620 series dispensing pumps

## Features and benefits

- Keypad entry of flow from 0.00026 GPM (0.001 L/min) to 4.76 GPM (18 L/min)
- Dispenses 16.91 fl oz (500 ml) to within  $\pm 0.5\%$
- Stores up to 50 dispensing programs
- Up to 60 psi (4 bar) pressure
- 2650:1 control ratio (0.1 to 265 rpm speed range)
- Digital speed adjustment with choice of 0.1 rpm, 0.5 rpm, 1 rpm, 2 rpm, 5 rpm and 10 rpm step changes
- Maintenance-free brushless DC motor
- Smooth easy-to-clean enclosure free from bug traps



## 620Di and 620DiN with 620R pumphead performance

Flow ranges (L/min) (over 0.1 to 265rpm speed range)	Continuous tubing			
	620R (2 rollers)			
Tubing material	6.4mm	9.6mm	12.7mm	15.9mm
Marprene TL, Bioprene TL	0.001-3.4	0.003-6.6	0.004-11	0.01-12
Pumpsil silicone	0.001-3.2	0.003-7.2	0.004-11	0.01-15
STA-PURE, Neoprene	0.001-3.2	0.003-6.6	0.004-11	0.01-16
Dose sizes				
Tube bore	6.4mm (1/4")	9.6mm (3/8")	12.7mm (1/2")	15.9mm (5/8")
Minimum possible dose	6ml	14ml	21ml	28ml
Minimum recommended	60ml	136ml	208ml	283ml

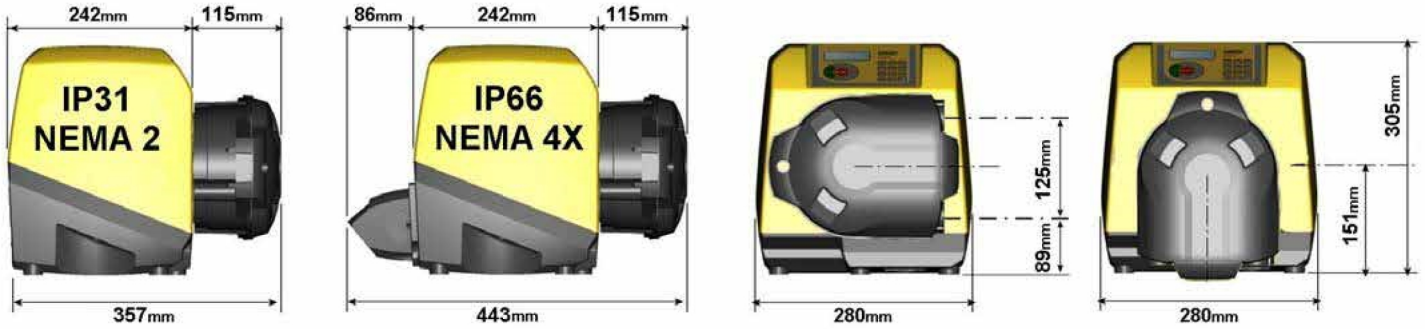
## Technical specifications

	620Di and 620DiN with 620R pumphead
Filling volume range	Up to 500ml in 3.0s ml
Accuracy	$\pm 0.5\%$
Ingress Protection	IP31, IP66, NEMA 2, NEMA 4X
Operating temperature range	5 to 40 °C
Operating temperature range	40 to 104 °F
Speed control ratio	2650:1
Humidity	(Condensing) 10 to 100% RH, (Non-condensing) 80% up to 31°C (88°F), decreasing linearly to 50% at 40C (104F)
Noise	<70dB(A) at 1m
Standards	CE, cETLus
Power supply	100 to 120 V, 200 to 240 V, 50/60 Hz, Single-phase
Weight	19.6 - 20.5 kg
Weight	43.2 - 45.2 lbs
Accessories	Footswitch, handswitch, RS232 cable, batch records cable
Compatible tubing size	12.0 mm ID, 12.7 mm ID, 15.9 mm ID, 17.0 mm ID, 6.4 mm ID, 9.6 mm ID

## Materials of construction

	620Di and 620DiN with 620R pumphead
Bearings	Carbon steel
Casework	Pressure die-cast aluminum LM24, Pressure die-cast aluminum LM6
Keypad/HMI	Polyester
Pumphead roller assembly	Nylatron, Stainless steel

## 620Di and 620DiN with 620R pumphead dimensions



## Control options

Functionality	620Di	620DiN
Enclosure - ingress protection rating	IP31	IP66
<b>Manual control</b>		
Digital speed control with simple calibration to display flow	✓	✓
Choice of flow rate display; metric or imperial units	✓	✓
Numeric keypad for entry of speed, flow or PIN code	✓	✓
<b>Remote control</b>		
Run/stop, direction change, auto/manual mode, leak detector input (via contact closure or 5V TTL to 24V industrial logic)	✓	✓
Remote operation of dosing (foot/handswitch or logic input)	✓	✓
Four programmable digital status outputs through 5V TTL to 24V industrial logic		✓
Analogue speed feedback		
Tachometer output; 0-1478Hz	✓	✓
<b>Digital communication</b>		
Digital network serial control RS232 RS485	RS232	RS485
<b>Specialist dispensing functionality</b>		
Drip control feature (momentary direction reverse at end of dose)	✓	✓
Ramp control to improve accuracy and avoid splashing or frothing	✓	✓
Export of batch records to PC or printer for cGMP requirements RS232	RS232	
Dual operator/supervisor PIN code protection of pump settings	✓	✓

## Product codes

Pumpheads					Accessories			
<b>620R MkII head</b>					<b>Footswitch</b>	<b>Handswitch</b>	<b>RS232 cable</b>	<b>Batch records cable</b>
Pumphead only	063.4211.000							
<b>IP31/NEMA 2 wipe-down pumps</b>					<b>IP31</b>	<b>IP31</b>	<b>IP31</b>	<b>IP31</b>
620Di	060.4171.020*				059.3002.000	059.3022.000	059.3121.000	059.3125.000
*Replace 0 (plug-less) with A, E or U for 2.8m American, European or UK mains plug								
<b>IP66/NEMA 4X wash-down pumps</b>					<b>IP55</b>			
620DiN	060.417N.020**				069.5231.000	n/a	n/a	—
** Replace 0 (plug-less) with A for 2.8m American mains lead								
Tubing								
	Continuous tubing				Sanitary LoadSure™ elements (3/4" Tri-clamp PVDF connectors)		Industrial LoadSure™ elements (3/4" Cam & Groove PP connectors)	
	6.4mm	9.6mm	12.7mm	15.9mm	12mm	17mm	12mm	17mm
STA-PURE	960.0064.032	960.0096.032	960.0127.032	960.0159.032	960.0120.PFT	960.0170.PFT	—	—
CHEM-SURE	965.0064.032	965.0096.032	965.0127.032	965.0159.032	965.0120.SST*	965.0170.SST*	—	—
Bioprene TM	—	—	—	—	903.P120.PFT	903.P170.PFT	—	—
Bioprene TL	903.0064.032	903.0096.032	903.0127.032	903.0159.032	903.0120.PFT	903.0170.PFT	—	—
Marprene TM	—	—	—	—	—	—	902.P120.PPC	902.P170.PPC
Marprene TL	902.0064.032	902.0096.032	902.0127.032	902.0159.032	—	—	902.0120.PPC	902.0170.PPC
Pumpsil silicone	913.A064.032	913.A096.032	913.A127.032	913.A159.032	913.A120.PFT	913.A170.PFT	913.A120.PPC	913.A170.PPC
Neoprene	920.0064.032	920.0096.032	920.0127.032	920.0159.032	—	—	920.0120.PPC	920.0170.PPC
PVC	950.0064.032	950.0096.032	950.0127.032	950.0159.032	—	—	—	—
NB: 4 bar pressure capability with Sta-Pure, Bioprene TM and Marprene TM							*SST = sanitary stainless steel connectors	

Disclaimer: The information in this document is believed to be correct, but Watson-Marlow Flexicon A/S accepts no liability for any errors it contains, and reserves the right to alter specifications without notice. WARNING: These products are not designed for use in, and should not be used for, patient-connected applications. WMArchitect and Accusil are registered trademarks.

[wmfts.com/global](http://wmfts.com/global)



04 July 2024