

FlexFeed 30

Semi-automatic filling and capping systems

Features and benefits

- Capable of handling screw caps, pipette caps or other screw caps with a special shape
- Filling and capping up to 1,200 bottles per hour, with diameters from 0.47 inch (12 mm) to 1.97 inch (50 mm)
- Consistent cap torque prevents the problems of leaking bottles



Technical specifications

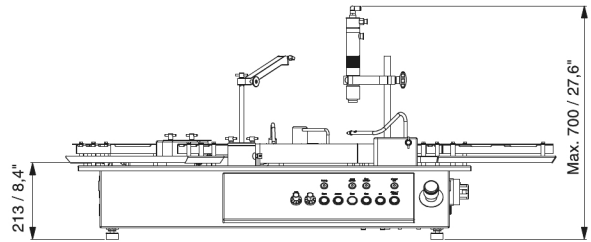
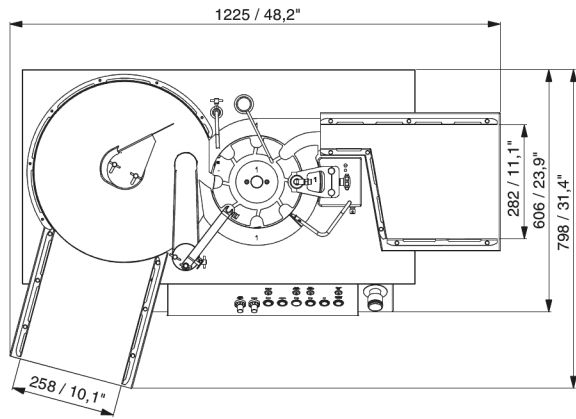
	FlexFeed 30
Ingress Protection	IP52
Capacity	1200 units/hour
Power supply	110/230 VAC, 50/60 Hz
Power consumption	300 W
Air supply	Clean and dry air
Weight	60 kg
Accessories	Customized format parts for bottles and caps
Max. bottle/vial diameter	50 mm
Max. bottle/vial height	110 mm

Materials of construction

	FlexFeed 30
Material	Anodized aluminum, Polyacetal, Stainless steel AISI 304

FlexFeed 30 dimensions

Dimensions in mm/inches



Disclaimer: The information in this document is believed to be correct, but Watson-Marlow Flexicon A/S accepts no liability for any errors it contains, and reserves the right to alter specifications without notice. **WARNING:** These products are not designed for use in, and should not be used for, patient-connected applications. asepticu and Accusil are registered trademarks.

wmfts.com/global



08 February 2024