

# IPA 100

Inlet pulse accumulator

**Bredel**

Hose Pumps

## Features and benefits

- Reduces positive and negative peaks when inlet conditions vary
- Eliminates up to 90 % of the pump inlet pulsation
- Provides quieter operation and maximises hose life
- Low maintenance set-up, suitable for any Bredel and APEX pump with hose size from 25 mm (1") to 100 mm (4")
- Safe handling



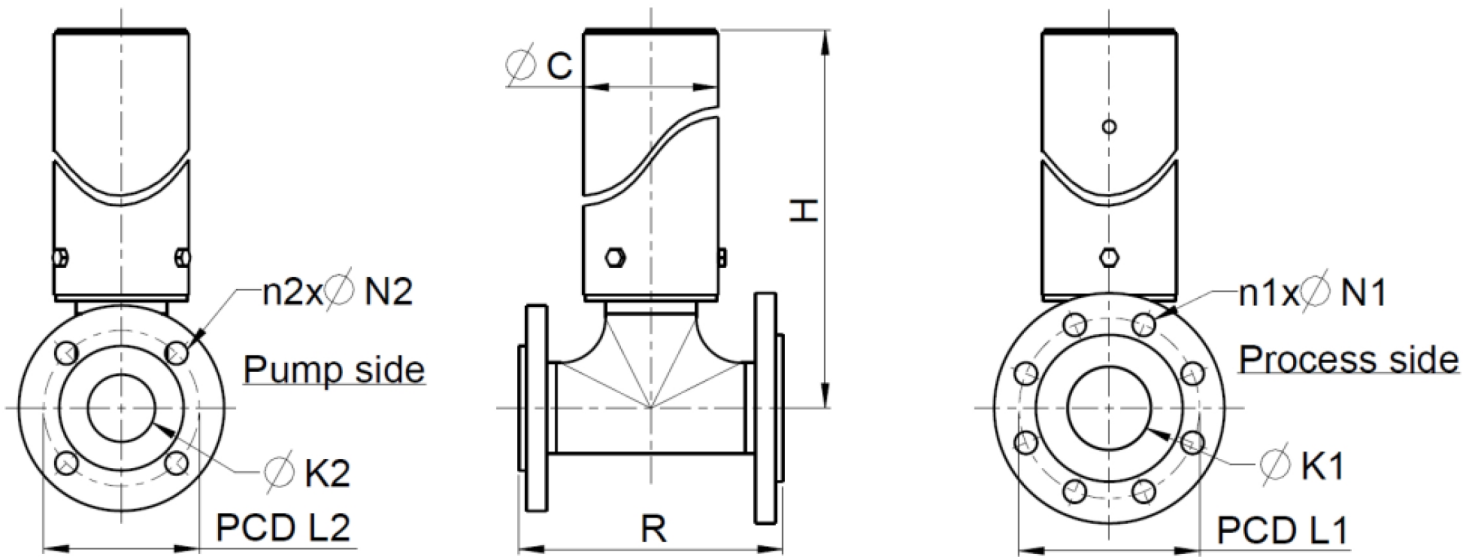
## Technical specifications

	IPA 100
Max. operating pressure	6 bar
Max. operating pressure	87 psi
Storage temperature range	-40 °C to 70 °C
Storage temperature range	-40 °F to 158 °F
Product temperature range	-10 °C to 80 °C
Product temperature range	14 °F to 176 °F

## Materials of construction

	IPA 100
Hose material	EPDM, Natural rubber (NR), NBR
Housing assemblies	PVC, Stainless steel 316
O-ring	NBR
Flange materials	PVC, Stainless steel 316

## IPA 100 dimensions



Dimensions in mm (for DIN/EN flanges)												
IPA Type	Pump Type		SS	PVC	DIN/EN			DIN/EN			SS	PVC
		C	H	H	K1	L1	n1 x N1	K2	L2	n2 x N2	R	R
IPA100	Bredel 80	140	776	791	DN100	180	8 x 18	DN80	160	8 x 18	276	390
IPA100	Bredel 100	140	931	946	DN100	180	8 x 18	DN100	180	8 x 18	276	390

Dimensions in inches (for ANSI flanges)												
IPA Type	Pump Type		SS	PVC	ANSI			ANSI			SS	PVC
		C	H	H	K1	L1	n1 x N1	K2	L2	n2 x N2	R	R
IPA100	Bredel 80	5.5	30.6	31.1	4	7 1/2	8 x 3/4	3	6	8 x 3/4	10.9	15.4
IPA100	Bredel 100	5.5	36.7	37.2	4	7 1/2	8 x 3/4	4	7 1/2	8 x 3/4	10.9	15.4

## Product codes

Replacement hose element				Part number	
Hose type	Material	Colour code		IPA100/80	IPA100/100
NR	Natural rubber	Purple		28-IP10008020	28-IP10010020
NBR	Nitrile rubber	Yellow		28-IP10008040	28-IP10010040
EPDM	EPDM	Red		28-IP10008075	28-IP10010075

For ordering please advise:

1. Flange size and type
2. Pump size and type
3. Required material for hose
4. Required material for T-piece and flanges

For further information on Inlet Pulse Accumulators please contact your Bredel representative.

Disclaimer: The information contained in this document is believed to be correct at the time of publication, but Watson-Marlow Bredel BV accepts no liability for any error it contains, and reserves the right to alter specifications without prior notice. All mentioned values in this document are values under controlled circumstances at our test bed. Actual flow rates achieved may vary because of changes in temperature, viscosity, inlet and discharge pressures and/or system configuration. APEX, DuCoNite, Bioprene and Bredel are registered trademarks.

[wmfts.com/global](http://wmfts.com/global)



12 July 2024