

# IPA 40

*Inlet pulse accumulator*

**Bredel**

*Hose Pumps*

## Features and benefits

- Reduces positive and negative peaks when inlet conditions vary
- Eliminates up to 90 % of the pump inlet pulsation
- Provides quieter operation and maximises hose life
- Low maintenance set-up, suitable for any Bredel and APEX pump with hose size from 25 mm (1") to 100 mm (4")
- Safe handling



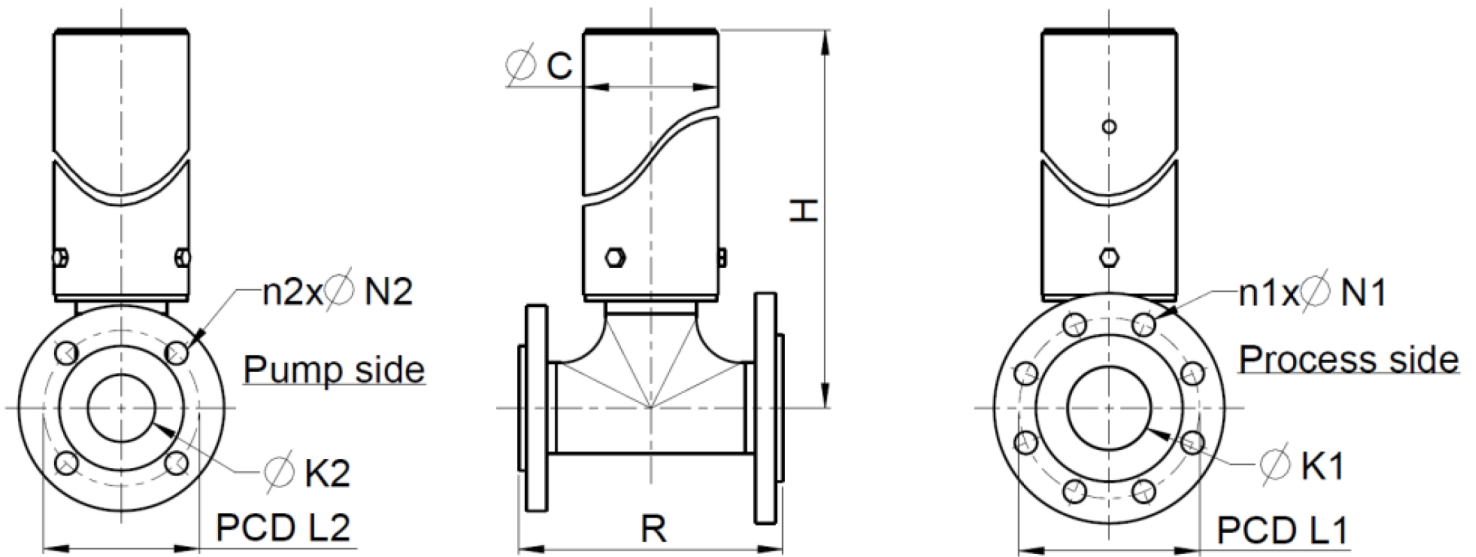
## Technical specifications

	IPA 40
Max. operating pressure	6 bar
Max. operating pressure	87 psi
Storage temperature range	-40 °C to 70 °C
Storage temperature range	-40 °F to 158 °F
Product temperature range	-10 °C to 80 °C
Product temperature range	14 °F to 176 °F

## Materials of construction

	IPA 40
Hose material	EPDM, Natural rubber (NR), NBR
Housing assemblies	PVC, Stainless steel 316
O-ring	NBR
Flange materials	PVC, Stainless steel 316

## IPA 40 dimensions



Dimensions in mm (for DIN/EN flanges)												
IPA Type	Pump Type		SS	PVC	DIN/EN			DIN/EN			SS	PVC
		C	H	H	K1	L1	n1 x N1	K2	L2	n2 x N2	R	R
IPA40	APEX28	89	402	396	DN40	110	4 x 18	DN25	85	4 x 14	180	190
IPA40	APEX35	89	402	396	DN40	110	4 x 18	DN32	100	4 x 18	180	190
IPA40	Bredel 25	89	402	396	DN40	110	4 x 18	DN25	85	4 x 14	180	190
IPA40	Bredel 32	89	402	396	DN40	110	4 x 18	DN32	100	4 x 18	180	190
IPA40	Bredel 40	89	402	396	DN40	110	4 x 18	DN40	110	4 x 18	180	190

Dimensions in inches (for ANSI flanges)												
IPA Type	Pump Type		SS	PVC	ANSI			ANSI			SS	PVC
		C	H	H	K1	L1	n1 x N1	K2	L2	n2 x N2	R	R
IPA40	APEX28	3.5	15.8	15.6	1 1/2	3 7/8	4 x 5/8	1	3 1/8	4 x 5/8	7.1	7.5
IPA40	APEX35	3.5	15.8	15.6	1 1/2	3 7/8	4 x 5/8	1 1/2	3 7/8	4 x 5/8	7.1	7.5
IPA40	Bredel 25	3.5	15.8	15.6	1 1/2	3 7/8	4 x 5/8	1	3 1/8	4 x 5/8	7.1	7.5
IPA40	Bredel 32	3.5	15.8	15.6	1 1/2	3 7/8	4 x 5/8	1 1/4	3 1/2	4 x 5/8	7.1	7.5
IPA40	Bredel 40	3.5	15.8	15.6	1 1/2	3 7/8	4 x 5/8	1 1/2	3 7/8	4 x 5/8	7.1	7.5

## Product codes

Replacement hose element			Part number
Hose type	Material	Colour code	IPA40/25 IPA40/32 IPA40/40
NR	Natural rubber	Purple	28-IP04004020
NBR	Nitrile rubber	Yellow	28-IP04004040
EPDM	EPDM	Red	28-IP04004075

For ordering please advise:

1. Flange size and type
2. Pump size and type
3. Required material for hose
4. Required material for T-piece and flanges

For further information on Inlet Pulse Accumulators please contact your Bredel representative.

---

Disclaimer: The information contained in this document is believed to be correct at the time of publication, but Watson-Marlow Bredel BV accepts no liability for any error it contains, and reserves the right to alter specifications without prior notice. All mentioned values in this document are values under controlled circumstances at our test bed. Actual flow rates achieved may vary because of changes in temperature, viscosity, inlet and discharge pressures and/or system configuration. APEX, DuCoNite, Bioprene and Bredel are registered trademarks.

*[wmfts.com/global](https://wmfts.com/global)*



12 July 2024