

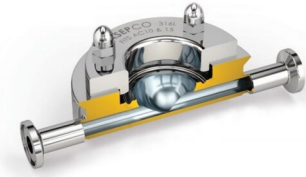
ASEPCONNECT inline



ASEPCONNECT™ Inline

Features and benefits

- Patented sealing face improves gasket sealing edge to eliminate leakage
- Clean, aseptic design for use in critical aseptic processing applications
- Easy to place, seal, and inspect, thereby lowering maintenance costs
- Seamless design eliminates dead legs and joint leakage
- Monel studs prevent galling during maintenance
- Clearance slots for use with rupture disks
- Optional integrated valve allows for easy sterilization



Technical specifications

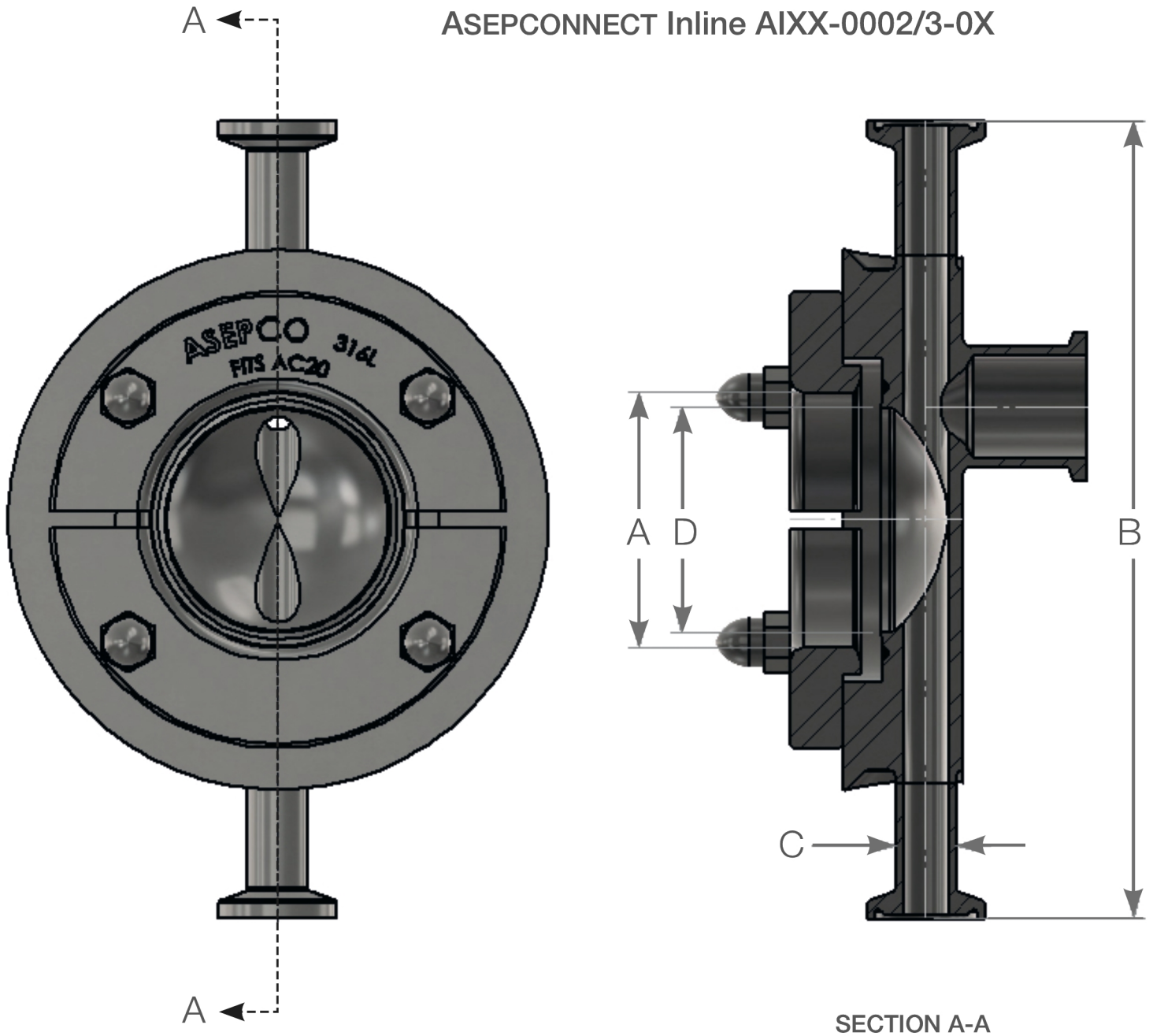
	ASEPCONNECT inline
Mounting type	Flush
Sizes	1.0", 1.5", 2.0"
Connection	Tri-clamp component connection
Operating temperature range	-80 to 200 °C
Operating temperature range	-112 to 392 °F
Operating gauge pressure range	-14.5 to 101.5 psig
Surface finish options	Electropolished, Max 10 micro-inch Ra (0.25 µm Ra), Max 15 micro-inch Ra (0.375 µm Ra), Max 20 micro-inch Ra (0.5 µm Ra)
Certification and compliance	ISO 9001
Standards	ASME BPE, CE-PED
Weight	1.81 - 2.36 kg
Weight	4 - 5.2 lbs

Materials of construction

	ASEPCONNECT inline
Material	Hastelloy C22, Stainless steel 316L, Stainless steel AL-6XN

ASEPCONNECT inline dimensions

ASEPCONNECT Inline AIXX-0002/3-0X



SECTION A-A

Size	A	B	C	D	
inches	in (mm)	in (mm)	in (mm)	in (mm)	
1.50	1.64 (41.7)	6.15 (156.2)	0.50 (12.7)	1.37 (34.8)	
2.00	2.13 (54.1)	6.65 (168.9)	0.50 (12.7)	1.87 (47.5)	
Size	Weirless Size	A	B	C	D
inches	inches	in (mm)	in (mm)	in (mm)	in (mm)
1.50	0.50	1.64 (41.7)	6.15 (156.2)	0.50 (12.7)	1.37 (34.8)
2.00	0.50	2.13 (54.1)	6.65 (168.9)	0.50 (12.7)	1.87 (47.5)
1.50	0.75	1.64 (41.7)	6.15 (156.2)	0.75 (19.1)	1.37 (34.8)
2.00	0.75	2.13 (54.1)	6.65 (168.9)	0.75 (19.1)	1.87 (47.5)

Weights

Size	ASEPCONNECT Inline AIXX-0001	ASEPCONNECT Inline AIXX-0002	ASEPCONNECT Inline AIXX-0003
inches	lb (Kg)	lb (Kg)	lb (Kg)
1.50	4.0 (1.81)	3.9 (1.77)	4.6 (2.09)
2.00	5.2 (2.36)	4.8 (2.18)	5.6 (2.54)

Product codes

Disclaimer: The information contained in this document is believed to be correct but ASEPCO accepts no liability for any errors it contains and reserves the right to alter specifications without notice. It is the users responsibility to ensure product suitability for use within their application. Radial diaphragm is a trademark of ASEPCO Corporation. Tri-Clamp is a registered trademark of Alfa Laval Corporate AB. A member of Watson-Marlow Fluid Technology Group, A Spirax-Sarco Engineering plc company.

wmfts.com/global



01 August 2024