

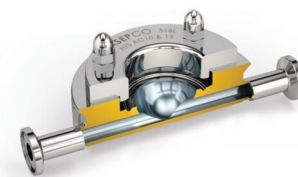
ASEPCONNECT inline



ASEPCONNECT™ Inline

Features and benefits

- Patented sealing face improves gasket sealing edge to eliminate leakage
- Clean, aseptic design for use in critical aseptic processing applications
- Easy to place, seal, and inspect, thereby lowering maintenance costs
- Seamless design eliminates dead legs and joint leakage
- Monel studs prevent galling during maintenance
- Clearance slots for use with rupture disks
- Optional integrated valve allows for easy sterilisation



Technical specifications

	ASEPCONNECT inline
Mounting type	Flush
Sizes	1.0", 1.5", 2.0"
Connection	Tri-clamp component connection
Operating temperature range	-80 °C to 200 °C
Operating temperature range	-112 °F to 392 °F
Operating gauge pressure range	-1 barg to 7 barg
Operating gauge pressure range	-14.5 psig to 101.5 psig
Surface finish options	Electropolished, Max 10 micro-inch Ra (0.25 µm Ra), Max 15 micro-inch Ra (0.375 µm Ra), Max 20 micro-inch Ra (0.5 µm Ra)
Certification and compliance	ISO 9001
Standards	ASME BPE, CE-PED
Weight	1.81 - 2.36 kg
Weight	4 - 5.2 lbs

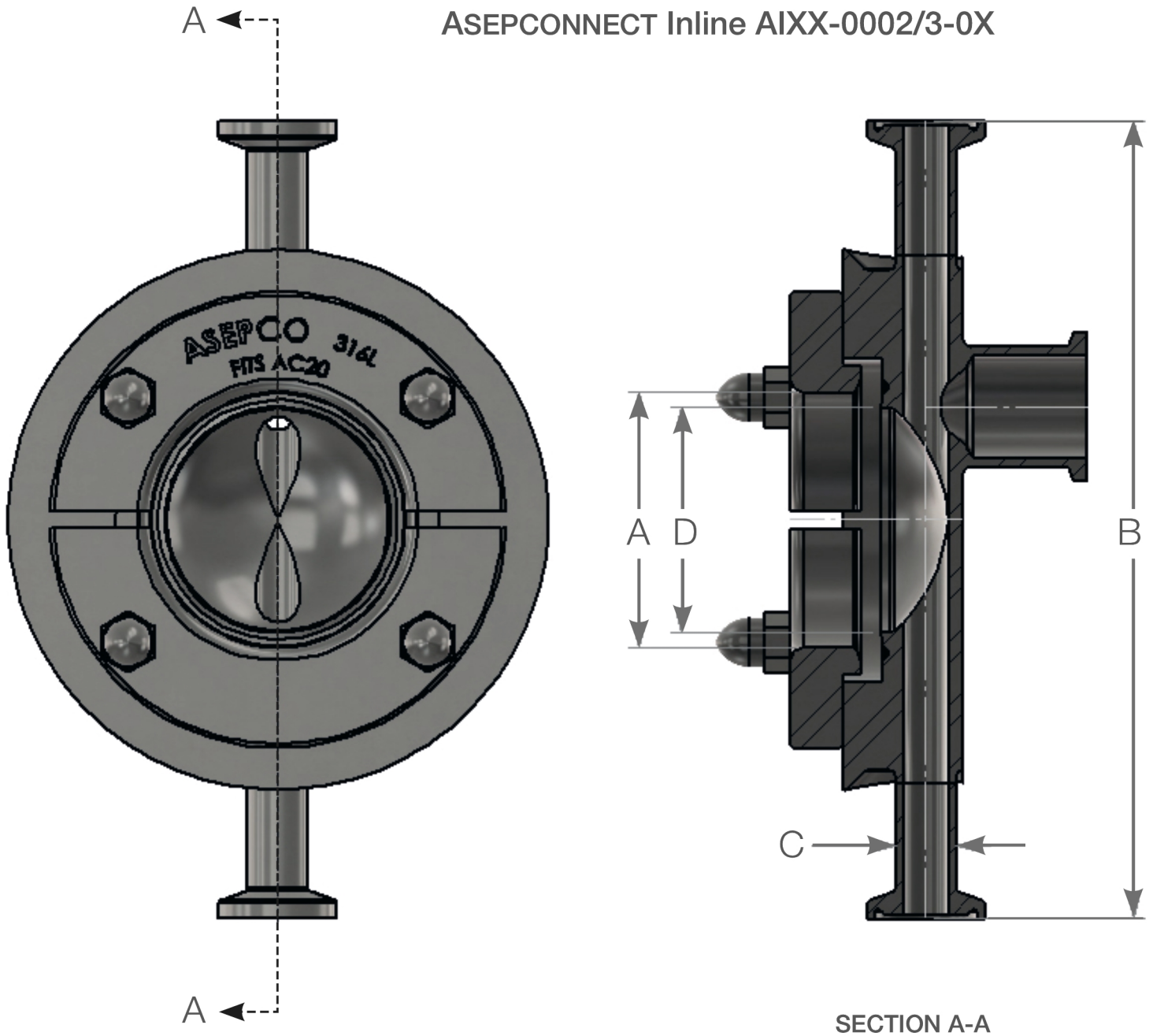
(Maximum working pressure is determined by the design pressure of the gasket being used in the assembly.)

Materials of construction

	ASEPCONNECT inline
Material	Hastelloy C22, Hastelloy C276, Stainless steel 316L, Stainless steel AL-6XN

ASEPCONNECT inline dimensions

ASEPCONNECT Inline AIXX-0002/3-0X



SECTION A-A

Size	A	B	C	D	
inches	mm (in)	mm (in)	mm (in)	mm (in)	
1.50	41.7 (1.64)	156.2 (6.15)	12.7 (0.50)	34.8 (1.37)	
2.00	54.1 (2.13)	168.9 (6.65)	12.7 (0.50)	47.5 (1.87)	
Size	Weirless Size	A	B	C	D
inches	inches	mm (in)	mm (in)	mm (in)	mm (in)
1.50	0.50	41.7 (1.64)	156.2 (6.15)	12.7 (0.50)	34.8 (1.37)
2.00	0.50	54.1 (2.13)	168.9 (6.65)	12.7 (0.50)	47.5 (1.87)
1.50	0.75	41.7 (1.64)	156.2 (6.15)	19.1 (0.75)	34.8 (1.37)
2.00	0.75	54.1 (2.13)	168.9 (6.65)	19.1 (0.75)	47.5 (1.87)

Weights

Size	ASEPCONNECT Inline AIXX-0001	ASEPCONNECT Inline AIXX-0002	ASEPCONNECT Inline AIXX-0003
inches	Kg (lb)	Kg (lb)	Kg (lb)
1.50	1.81 (4.0)	1.77 (3.9)	2.09 (4.6)
2.00	2.36 (5.2)	2.18 (4.8)	2.54 (5.6)

Product codes

Product number	Product description
AI10-0006-2	Asepconnect assembly 1" Inline mount fits 0.75" line weld-end connection 316L/EN 1.4435 15 Ra mechanical Includes clamps
AI10-0007-2	Asepconnect assembly 1" Inline mount fits DN15 (DIN32676 Range A) line weld-end connection 316L/EN 1.4435 15 Ra mechanical Includes clamps
AI15-0001-01	Asepconnect assembly 1.5", Inline mount fits 0.5" line clamp-end connection 316L/EN 1.4435 20 Ra mechanical Includes clamps
AI15-0401-01	Asepconnect assembly 1.5", Inline mount fits 0.5" line weld-end connection 316L/EN 1.4435 20 Ra microinch finish, electropolished & passivated Includes clamps

Disclaimer: The information contained in this document is believed to be correct but ASEPCO accepts no liability for any errors it contains and reserves the right to alter specifications without notice. It is the user's responsibility to ensure product suitability for use within their application. Radial diaphragm is a trademark of ASEPCO Corporation. Tri-Clamp is a registered trademark of Alfa Laval Corporate AB. A member of Watson-Marlow Fluid Technology Solutions, A Spirax-Sarco Engineering plc company.

wmfts.com/global



01 August 2024