

Features and benefits

- Clean, aseptic design
- Patented compound gasket
- Flush mount design
- Easy to place, seal, inspect
- Large outer diameter



Technical specifications

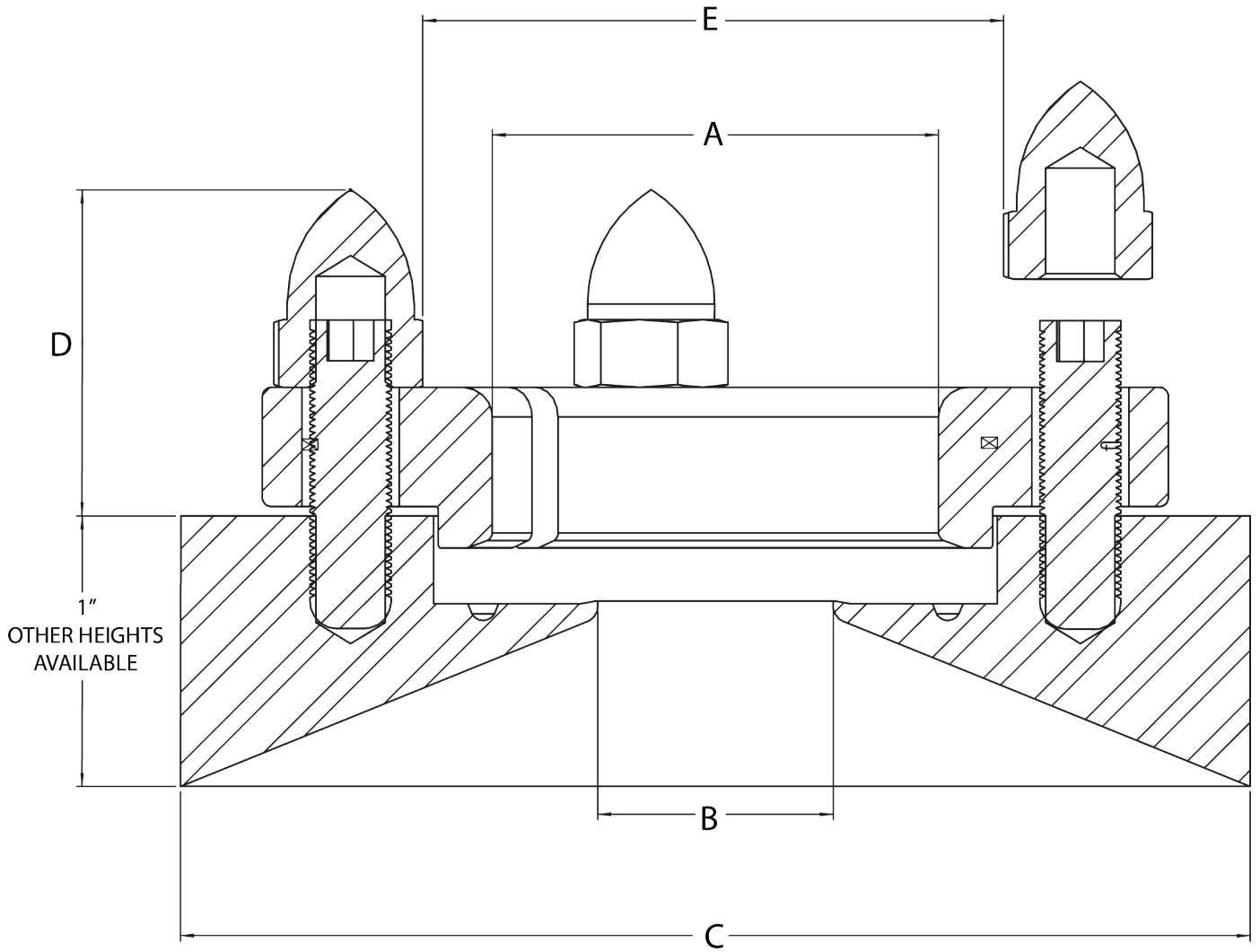
	ASEPCONNECT
Mounting type	Flush
Sizes	0.375", 0.5", 0.75", 1.0", 1.5", 2.0", 2.5", 3.0", 4.0"
Thickness	1" standard height
Connection	Weld-in body with tri-clamp component connection
Operating temperature range	-80 °C to 200 °C
Operating temperature range	-112 °F to 392 °F
Operating gauge pressure range	-1 barg to 7 barg
Operating gauge pressure range	-14.5 psig to 101.5 psig
Surface finish options	Electropolished, Max 10 micro-inch Ra (0.25 µm Ra), Max 15 micro-inch Ra (0.375 µm Ra), Max 20 micro-inch Ra (0.5 µm Ra)
Certification and compliance	ISO 9001
Standards	ASME BPE, CE-PED
Weight	0.55 - 3.36 kg
Weight	1.2 - 7.4 lbs

Maximum working pressure is determined by the design pressure of the gasket being used in the assembly.

Materials of construction

	ASEPCONNECT
Material	Hastelloy C22, Hastelloy C276, Stainless steel 316L, Stainless steel AL-6XN

ASEPCONNECT dimensions



Model #	Size	A	B	C	D	E
		mm (in)	mm (in)	mm (in)	mm (in)	mm (in)
AC04-0001	0.375	20.1 (0.790)	7.0 (0.275)	60.6 (2.385)	20.1 (0.790)	19.1 (0.750)
AC05-0001	0.50	20.1 (0.790)	9.4 (0.370)	60.6 (2.385)	20.1 (0.790)	19.1 (0.750)
AC08-0001	0.75	20.1 (0.790)	15.7 (0.620)	60.6 (2.385)	20.1 (0.790)	19.1 (0.750)
AC10-0001	1.00	43.7 (1.720)	22.1 (0.870)	100.5 (3.955)	30.6 (1.205)	29.3 (1.154)
AC15-0001	1.50	43.7 (1.720)	34.8 (1.370)	100.5 (3.955)	30.6 (1.205)	29.3 (1.154)
AC20-0001	2.00	55.1 (2.170)	47.5 (1.870)	114.3 (4.500)	29.0 (1.140)	40.7 (1.603)
AC25-0001	2.50	65.5 (2.580)	60.2 (2.370)	130.0 (5.120)	29.7 (1.171)	60.2 (2.370)
AC30-0001	3.00	78.0 (3.070)	72.9 (2.870)	147.3 (5.800)	29.7 (1.171)	95.3 (3.750)
AC40-0001	4.00	104.9 (4.130)	97.4 (3.835)	173.9 (6.845)	29.0 (1.141)	127.0 (5.000)

Weights

Size	ASEPCONNECT
inches	Kg (lb)
0.375	.55 (1.2)
0.50	.55 (1.2)
0.75	.55 (1.2)
1.00	1.36 (3.0)
1.50	1.36 (3.0)
2.00	1.68 (3.7)
2.50	2.59 (5.7)
3.00	2.59 (5.7)
4.00	3.36 (7.4)

Product codes

Product number	Product description
AC10-0001-01	Asepconnect assembly 1" Vessel mount 1" thick Flush face Ø 3.3" 316L 20ra mechanical Includes clamps
AC15-0001-01	Asepconnect assembly 1.5" Vessel mount 1" thick Flush face Ø 4" 316L 20 Ra mechanical Includes clamps
AC15-0101-01	Asepconnect assembly 1.5" Vessel mount 1.5" thick Flush face Ø 4" 316L 20ra mechanical Includes clamps
AC15-1001-01	Asepconnect assembly 1.5" Vessel mount 1" thick Flush face Ø 3.346" 316L 20ra mechanical Includes clamps
AC15-1401-01	Asepconnect assembly 1.5" Vessel mount 1" thick 15° face Ø 6" 316L 20 Ra mechanical Includes clamps
AC20-0001-01	Asepconnect assembly 2" Vessel mount 1" thick Flush face Ø 4.5" 316L 20 Ra mechanical Includes clamps
AC20-0101-01	Asepconnect assembly 2" Vessel mount 1.5" thick Flush face Ø 4.5" 316L/EN 1.4435 20 Ra mechanical Includes clamps
AC20-0201-01	Asepconnect assembly 2" Vessel mount 2" thick Flush face Ø 4.5" 316L 20 Ra mechanical Includes clamps
AC30-0001-01	Asepconnect assembly 3" Vessel mount 1" thick Flush face Ø 5.6" 316L 20 Ra mechanical Includes clamps
AC30-CLAMP	Asepconnect collar 3" 304 Fits Asepconnect
AC40-0101-01	Asepconnect assembly 4" Vessel mount 1.5" thick Flush face Ø 6.9" 316L/EN 1.4435 20 Ra mechanical Includes clamps
AC40-1001-01	Asepconnect assembly 4" Vessel mount 1" thick Flush face Ø 6.7" 316L 20 Ra mechanical Includes clamps
CC15-01	Asepconnect collar 1"-1.5" 304 Fits Asepconnect
CC20-01	Asepconnect collar 2" 304 Fits Asepconnect
CC20-316L	Asepconnect collar 2" 316L Fits Asepconnect
CC30-01	Asepconnect collar 3" 304 Fits Asepconnect
CC40-01	Asepconnect collar 4" 304 Fits Asepconnect
QC15-0001-70	1.5" polypropylene Quickconnect with 1.5" 316L tri-clamp

Disclaimer: The information contained in this document is believed to be correct but ASEPCO accepts no liability for any errors it contains and reserves the right to alter specifications without notice. It is the user's responsibility to ensure product suitability for use within their application. Radial diaphragm is a trademark of ASEPCO Corporation. Tri-Clamp is a registered trademark of Alfa Laval Corporate AB. A member of Watson-Marlow Fluid Technology Solutions, A Spirax-Sarco Engineering plc company.

wmfts.com/global



01 August 2024