

# In-line valve pneumatic actuators

*In-line valve pneumatic actuators*

## Features and benefits

- Hygienic design with laser-etched serial numbers on the actuator body supports full product traceability and cGMP
- Lightweight stainless steel and plastic construction with 304 SS sleeve and nylon handle
- Pneumatic control options to suit your process needs
- Visual indication of open/closed status
- 150 psig maximum sealing force
- Three year warranty



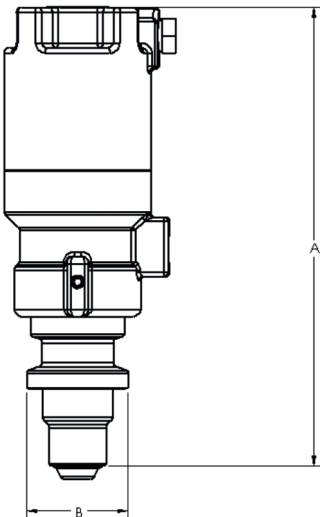
## Technical specifications

	In-line valve pneumatic actuators
Sizes	0.5", 0.75", 1.0", 1.5"
Pneumatic air connection fitting	1/8 inch NPT
Max. operating pressure	10 bar
Max. operating pressure	150 psi
Certification	ISO 9001
Standards	ASME BPE, CE-PED

## Materials of construction

	In-line valve pneumatic actuators
Housing	Nylon, Stainless steel
Actuator shaft	Stainless steel 316
O-ring	EPDM

## In-line valve pneumatic actuators dimensions



Size (inch)	A mm (inch)	B mm (inch)	Max travel mm (inch)	Weight kg (lb)	Clearance required for removal mm (inch)
0.50	143.3 (5.6)	31.5 (1.2)	4.4 (0.2)	0.5 (1.0)	193.0 (7.6)
0.75	162.6 (6.4)	50.8 (2.0)	5.6 (0.2)	1.0 (2.2)	213.4 (8.4)
1.00	177.8 (7.0)	63.5 (2.5)	5.3 (0.2)	1.3 (2.9)	254.0 (10.0)
1.50	188.0 (7.4)	91.4 (3.6)	7.0 (0.3)	2.4 (5.2)	276.9 (10.9)

## Product codes

Product number	Product description
FP05-01	0.5" Weirless Radial in-line valve AKS pneumatic actuator
IP08-01	0.75" Weirless Radial in-line valve AKS pneumatic actuator
IP10-01	1.0" Weirless Radial in-line valve AKS pneumatic actuator
IP15-01	1.5" Weirless Radial in-line valve AKS pneumatic actuator

Disclaimer: The information contained in this document is believed to be correct but ASEPCO accepts no liability for any errors it contains and reserves the right to alter specifications without notice. It is the users responsibility to ensure product suitability for use within their application. Radial diaphragm is a trademark of ASEPCO Corporation. Tri-Clamp is a registered trademark of Alfa Laval Corporate AB. A member of Watson-Marlow Fluid Technology Group, A Spirax-Sarco Engineering plc company.

[wmfts.com/global](http://wmfts.com/global)



10 October 2023