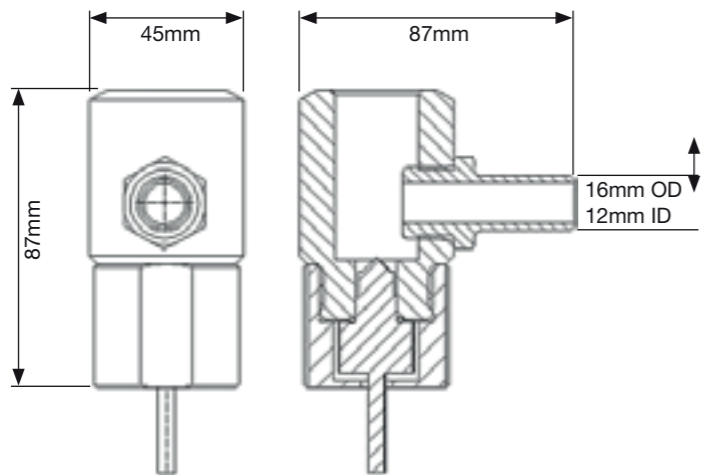
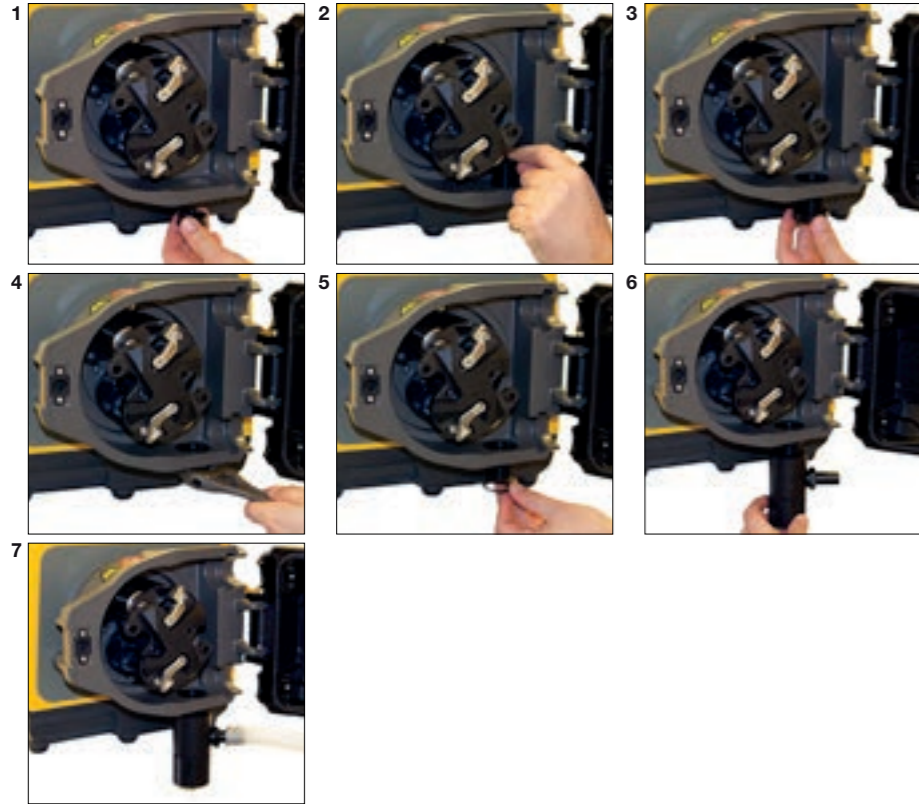
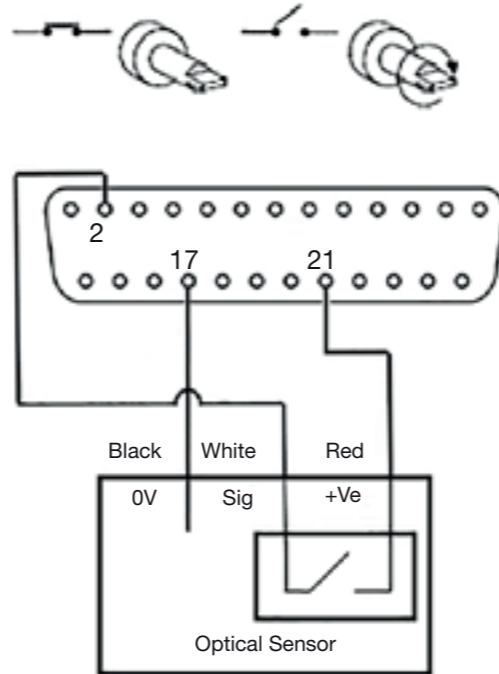


630AL

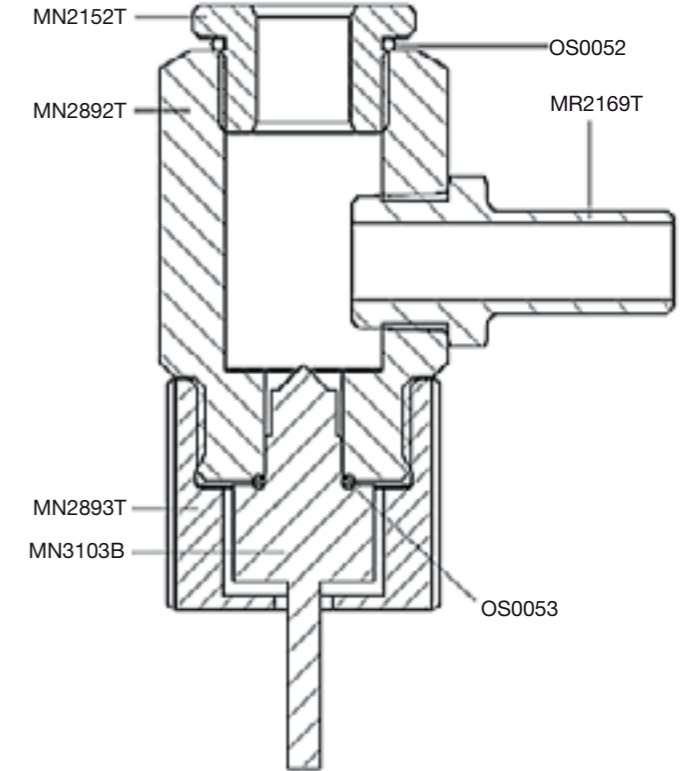
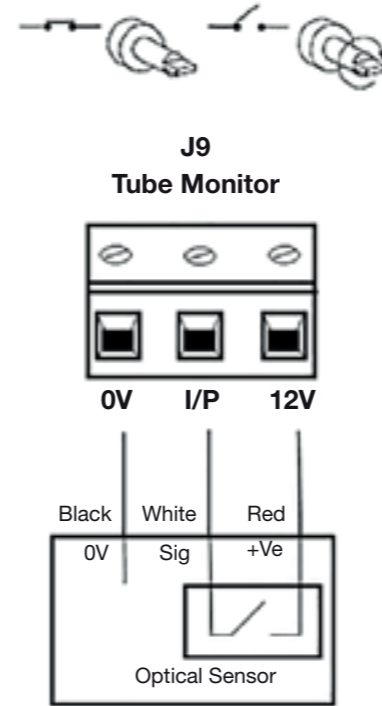


| Leak detector model | Leak detector part no. | To fit models | Connection | Switch Sense |
|---------------------|------------------------|-----------------------------------|-----------------------|--------------|
| 530AD | 059.9131.000 | 530UN, 530DuN, 520DiN | 0.8 meter Flying lead | NO |
| 630AL | 069.9131.000 | 630UN, 630DuN, 620DiN | 0.8 meter Flying lead | NO |
| 530AD | 059.9141.000 | 530U, 530Du, 520Di, 530Bp, 530BpN | 25W Sub D connector | NO |
| 630AL | 069.9141.000 | 630U, 630Du, 620Di, 630Bp, 630BpN | 25W Sub D connector | NO |

530U, 530Du, 520Di, 530Bp, 530BpN
630U, 630Du, 620Di, 630Bp, 630BpN



530UN, 530DuN, 520DiN
630UN, 630DuN, 620DiN



Watson-Marlow Fluid Technology Group
Tel: +44 (0) 1326 370370
Fax: +44 (0) 1326 376009
Email: info@wmftg.com
www.wmftg.com

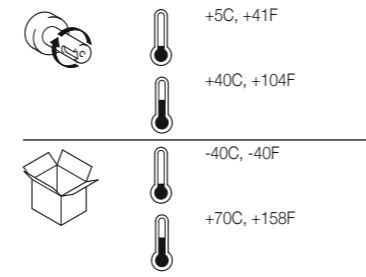
A Spirax Sarco Engineering Company



The information contained in this document is believed to be correct but Watson-Marlow Limited accepts no liability for any errors it contains and reserves the right to alter specifications without notice. It is the users responsibility to ensure product suitability for use within their application. Watson-Marlow, LoadSure, Qdos, ReNu, LaserTraceability, Pumpsil, PureWeld XL, Bioprene, Marprene are registered trademarks of Watson-Marlow Limited. Tn-Clamp is a registered trademark of Alfa Laval Corporate AB. GORE and STA-PURE are registered trademarks of W.L. Gore and Associates.

WARNING
This product is not designed for use in, and should not be used for, patient-connected applications.

PB0444/02



Simon Nicholson
Simon Nicholson, Managing Director

CE 2006/42/EC, 2004/108/EC, 2006/95/EC, BS EN60529 (IP66), 2006/42/EC, UL61010-1, CAN/CSA-C22.2 No 61010-1



530AD, 630AL

