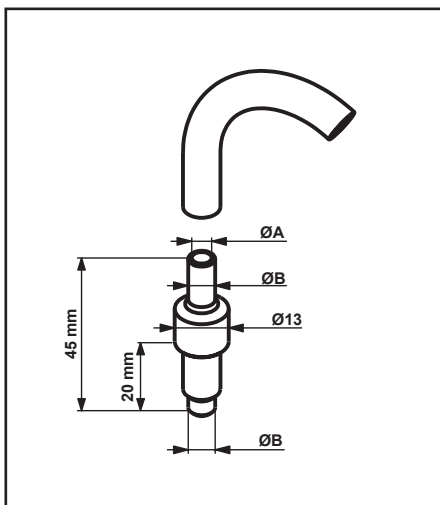
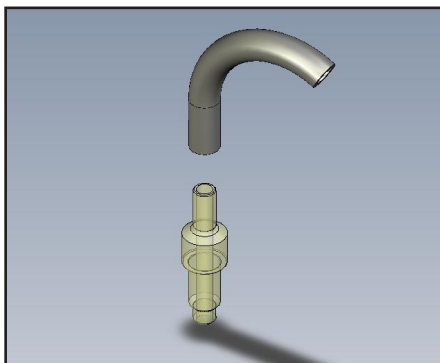


FILLING NOZZLE

– DISPOSABLE PEI 1000

- For filling from 0.5 ml to 100 ml
- For liquids not to be in contact with metal
- For use in disposable filling assemblies
- Sterilisable by gamma irradiation
- Fits filling nozzle holders on Watson-Marlow Flexicon filling machines. E.g. FF20, FF30, FP50, FPC50 and FMB210



SPECIFICATIONS				
Materials	PEI 1000 (Polyetherimide)			
	A (ID)	B(OD)	Fill volumes from	Part number
Dimensions in mm	0.8	2.2	0.5 ml	30-033-008
	1.2	2.6	1.0 ml	30-033-012
	1.6	3.0	1.7 ml	30-033-016
	3.2	4.6	6.5 ml	30-033-032
	4.8	6.5	12.0 ml	30-033-048
	6.0	8.0	22.0 ml	30-033-060
Nozzle holder incl. arm for filling stand				30-700-053
Compliance			FDA 21 CFR § 177.1595 USP Class VI	
Declaration of compliance - type 2.1 acc.: DS/EN 10204			Included	