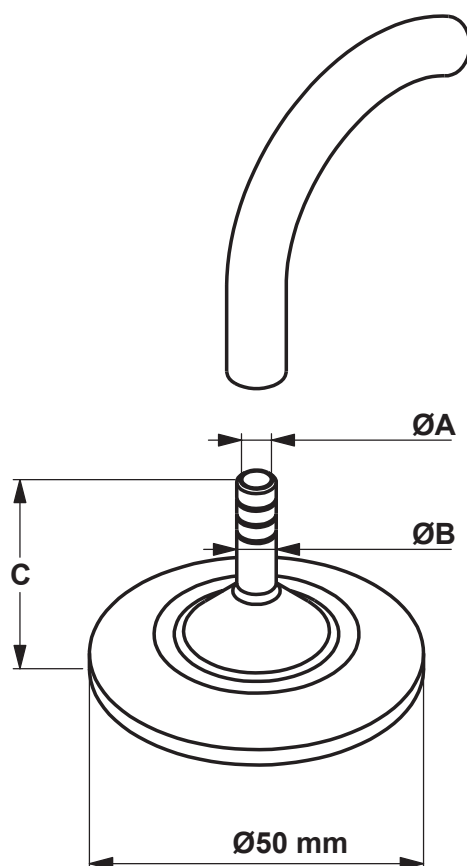


Connector for 1 tube



Connector for 1 tube – Part number	A (ID) (mm)	B (OD) (mm)	C (mm)
84-080-032	3.0	4.5	35
84-080-048	4.5	6.0	35
84-080-080	7.0	9.0	35
84-080-125	11.5	13.5	40
84-080-190	17	20	40
84-080-250	23	26	40
84-080-380	33	38	60

- When choosing the connector, the OD should be larger than the ID of the tubing
- Material: AISI316L
- Material certificate: Certificate type 2.1 is supplied with the product