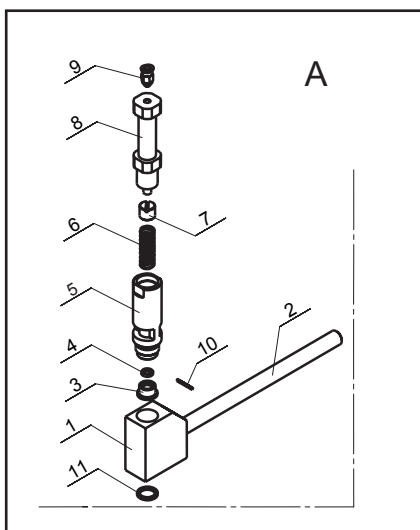
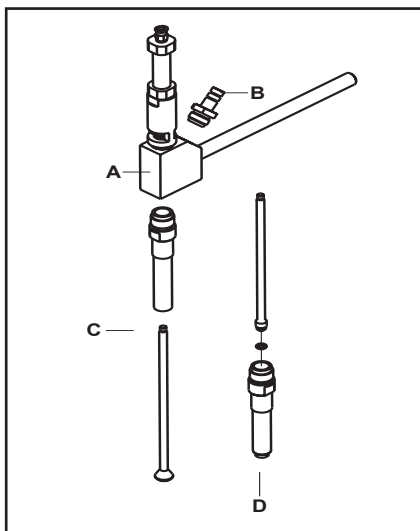


FILLING NOZZLE

– WITH PNEUMATIC VALVE

- Large volume filling
- Viscous liquids and creams
- Bottom-up filling applications
- Prevents after dripping



A = NOZZLE BODY			
		To be used with	Part number
A	Incl. pneumatic control box	PD12, PD22, GD30	82-510-000
A1	Excl. pneumatic control box	PF22, DF32, GF30	30-100-000

B = TUBE CONNECTOR			
	ID	OD	Part number
Dimensions in mm	7	10	30-100-105
	10	13	30-100-110

C = FILLING NOZZLE WITH OUTSIDE VALVE				
	ID	OD	Length of nozzle	Part number
Dimensions in mm	8	10	110 / 60	30-100-250
	12	14	110 / 60	30-100-260
	8	10	300 / 250	30-100-270
	12	14	300 / 250	30-100-280

D = FILLING NOZZLE WITH INSIDE VALVE				
	ID	OD	Length of nozzle	Part number
Dimensions in mm	6	14	110 / 63	30-100-208
	7,5	14	110 / 53	30-100-210

SPARE PARTS FOR A / A1		
Pos.	Description	Part number
1	Nozzle body	30-100-005
2	Arm	30-700-050
3	House for gasket	30-100-012
4	Gasket	54-190-060
5	head for cylinder	30-100-010
6	Spring	30-100-015
7	Spring stop	30-100-020
8+9	Pneumatic cylinder	30-100-050
10	Gasket	30-100-053
11	Gasket	30-100-051

- A + B + C/D must be ordered together
- Nozzle length is stated as total length / length to enter into bottle