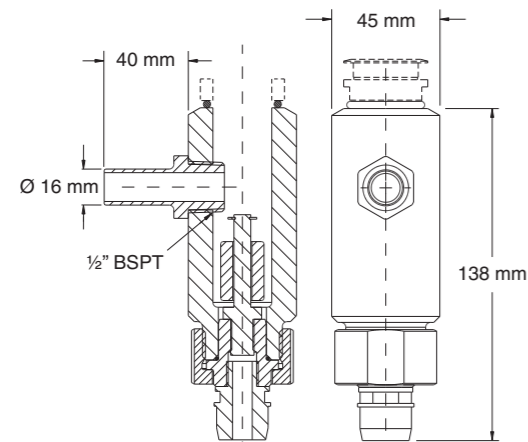
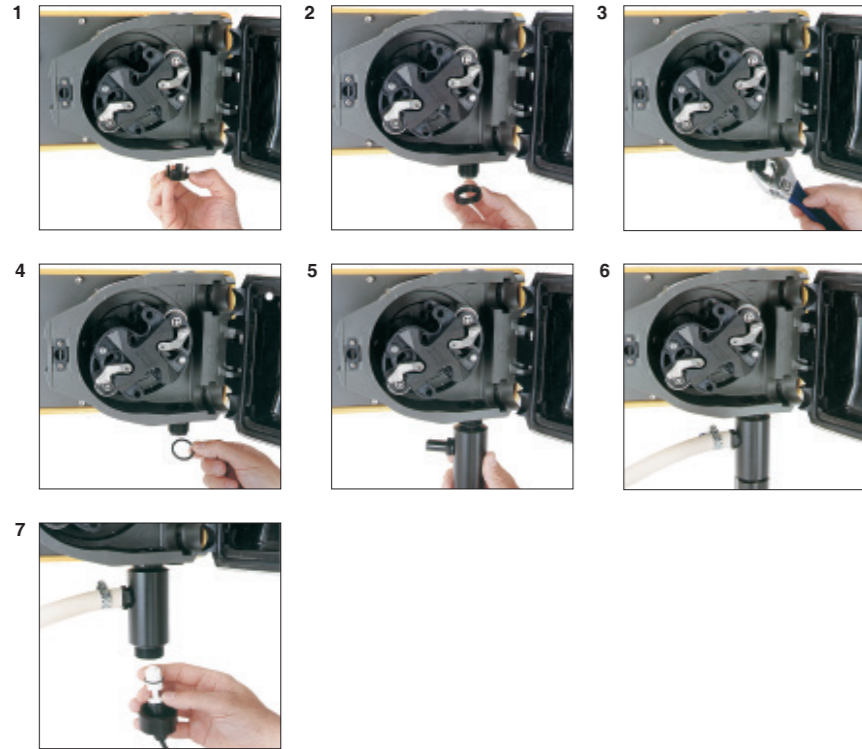
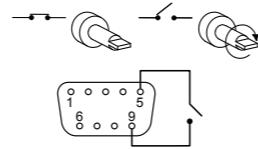


620AL

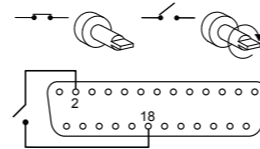


Leak detector model	Leak detector part no.	To fit models	Float switch
520AD	059.8111.000	521F, 521VI	NC
520AD	059.8131.000	520U, 520Du, 520Di, 520UN, 520DuN, 520DiN	NO
620AL	069.7131.000	620U, 620Du, 620Di, 620UN, 620DuN, 620DiN	NO
620AL	069.7111.000	621F, 621VI	NC

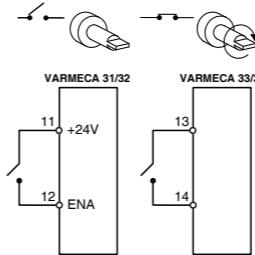
520Bp, 520BpN, 620Bp, 620BpN



520U, 520Du, 520Di, 620U, 620Du, 620Di



521VI, 621VI

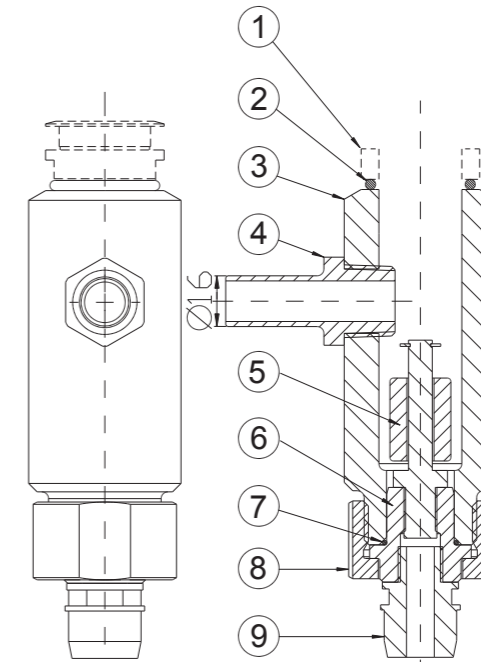
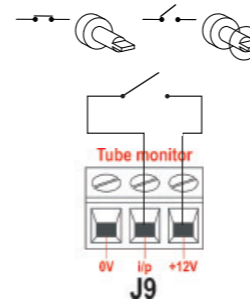


521F = 521A1 621F = 621A1

110v-120v/1/60Hz - 059.7301.00A
110v-120v/1/60Hz - 069.7301.00A
230v-240v/3/60Hz - 059.7301.00E
230v-240v/3/60Hz - 069.7301.00E



520UN, 520DuN, 520DiN, 620UN, 620DuN, 620DiN



- 1 MN2152T (520AD)
- 2 OS0052
- 3 MR2170T
- 4 MR2169T
- 5 MRA0281A (NO)
MRA0280A (NC)
- 6 MR2171T
- 7 OS0050
- 8 MR2172T
- 9 GR0050 (Non conduit)

Watson-Marlow Fluid Technology Group
Tel: +44 (0) 1326 370370
Fax: +44 (0) 1326 376009
Email: info@wmftg.com
www.wmftg.com

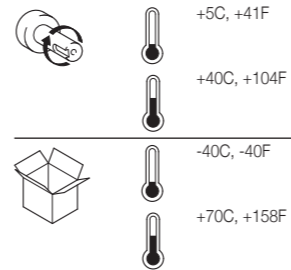
A Spirax Sarco Engineering Company

**WATSON
MARLOW
Pumps**

The information contained in this document is believed to be correct but Watson-Marlow Limited accepts no liability for any errors it contains and reserves the right to alter specifications without notice. It is the user's responsibility to ensure product suitability for use within their application. Watson-Marlow, LoadSure, Odos, ReNu, LaserTraceability, Pumpsil, PureWeld XL, Bioprene, Marprene are registered trademarks of Watson-Marlow Limited. Tri-Clamp is a registered trademark of Alfa Laval Corporate AB. GORE and STA-PURE are registered trademarks of W.L. Gore and Associates.

WARNING
This product is not designed for use in, and should not be used for, patient-connected applications.

PB0293/14



S. Nicholas
Simon Nicholas, Managing Director

CE 2006/42/EC, 2004/108/EC,
2006/95/EC, BS EN60529 (IP66),
2006/42/EC, UL61010-1,
CAN/CSA-C22.2 No 61010-1



**WATSON
MARLOW
Pumps**

520AD, 620AL

