

Operators Manual

GD30P



1	DECLARATION OF CONFORMITY	3
2	CAUTION	4
3	GENERAL INFORMATION	5
3.1	Unpacking and inspection	5
3.2	The Dispensing Principle	5
3.3	Installation.....	6
3.4	Addressing of filling station	7
4	DAILY USE	8
4.1	Pump Connections.....	8
5	PROGRAMMING.....	9
5.1	Programming principle	9
5.2	GD30P parameters	9
6	CLEANING AND MAINTENANCE	11
6.1	Daily cleaning.....	11
6.2	Maintenance	11
6.3	Disposal:	11
7	INTERFACE AND CHANGE OF POWER.....	12
7.1	Interface.....	12
7.2	Change of voltage.....	13
8	ANNEX A.....	14

1 DECLARATION OF CONFORMITY

We Flexicon A/S
Frejasvej 2-6
DK-4100 Ringsted

declare on our sole responsibility that the product:

GD30P

	
Model	GD30P
Serial No.	YYMM XXXX
Supply	230V/50Hz/350W
Year	2006
	

to which this declaration relates is in conformity with the following standard(s):

DS/EN ISO 12100	Safety of machinery - Basic concepts, general principles of design
DS/EN 60204	Safety of machinery – Electrical equipment of machines

according to the provisions in the Directives:

98/37/EC	On the approximation of the laws of the Member States relating to machinery.
73/23/EEC	On the harmonization of the laws of Member States relating to electrical equipment designed for use within certain voltage limits
2004/108/EC	On the approximation of the laws of the Member States relating to electromagnetic compatibility

Ringsted, October 2006

Mads Ulric Jensen
Signature.



2 CAUTION

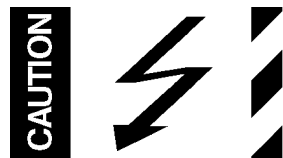
This manual should be read before using the GD30P.

Explanations to the pictograms:

Warning against touching/Warning against opening:



Warning against high voltage:



When operating the GD30P, make sure that the dispenser head is closed.

The mains switch is used for emergency stopping.

The GD30P should only be used for dosing and filling of liquid fluids.

The GD30P must be placed on a stable bed plate and in such a way, that it is not exposed to great humidity, high temperatures or other abnormal operating-environments. It is not to be used in explosion hazardous environments.

It is prohibited to maintain or clean the GD30P, when it is connected to the power supply.

It is prohibited for unauthorised personnel to open the cover of the GD30P's electrical parts.

Always remember that the GD30P must be earthed by way of the switch.

Handle the filling needles with caution.

The pump must not run dry.

The pump needs a filling nozzle with cut off valve.

3 GENERAL INFORMATION

3.1 *Unpacking and inspection*

GD30P is a dispenser in the Flexicon Multi Filling System (FMFS). The GD30P cannot do fillings by itself, but must be connected to Flexicon's control unit, MC12, or to a PC with RS485 multidrop communication.

Please check that all ordered items have been received and that no items were damaged during transport. In case of any defects or omissions, please contact Flexicon A/S or your supplier immediately.

When ordering spare parts or accessories for the GD30P, please state the serial number stamped. The serial number is stamped on the label on the bottom of the GD30P.

Please check that the connected mains plug is of the correct type with the correct earthed switch.

If this is not the case, the correct type of plug must be mounted with the following connections.

Yellow/green -	earth
Blue -	neutral
Brown -	phase

ALWAYS REMEMBER that this machine must be earthed.

3.2 *The Dispensing Principle*

GD30P operates with a pump of positive displacement rotary type. The volume at the inlet increases when the gears rotate and the product is drawn into the pump. It is then transported in the space between the gears and the periphery of the body to the discharge side. The volume between the gears is reduced here and the product is forced out through the outlet.

The gears operate without metallic contact with casing. The pumps have gears in AISI 316 acid resistant steel (PTFE impregnated). This gives an efficient performance and gentle handling of liquids products.

The gaskets are made of EPDM.

THE PUMP MUST NOT RUN DRY.

The best performance is reached with a positive product support.

The pump needs a filling nozzle with cut off valve.

3.3 Installation

GD30P must be placed either in frame delivered or otherwise in a suspension frame. All electrical connections are on the rear side.

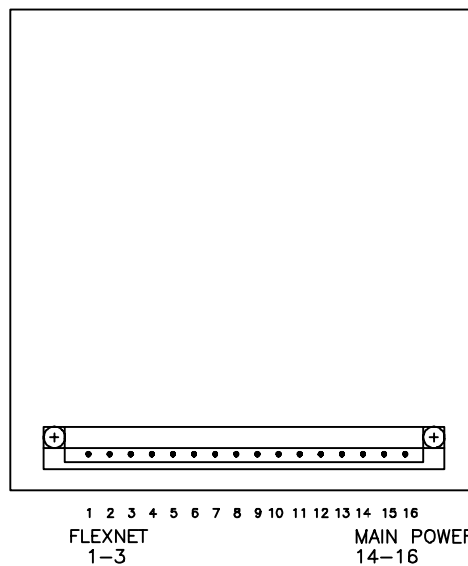


Fig. 1

The power supply is mounted with 0-I pin 4, earth in pin 15 and phase in pin 16.

The communication cable from MC12/MC12P is mounted in pin 1-3.

Should the system be operating more than one GD30P, the communication lines are connected in parallel in pin 1-3 in all units.

Address "1" is the factory setting of GD30P. In case you want to change this setting, please consult section 1.4 in this manual.

GD30P is now ready to be switched on and to be programmed from the MC12/MC12P.

3.4 Addressing of filling station

Address	1	2	3	4	5	6	7	8	9	10	11	12	13	14	15	16
SW1	1	0	1	0	1	0	1	0	1	0	1	0	1	0	1	0
SW2	1	1	0	0	1	1	0	0	1	1	0	0	1	1	0	0
SW3	1	1	1	1	0	0	0	0	1	1	1	1	0	0	0	0
SW4	1	1	1	1	1	1	1	1	0	0	0	0	0	0	0	0

Fig. 2

Address "1" is the factory setting of GD30P.

If the GD30P is one of several filling stations in a system, none of the stations may have the same address and it must therefore be changed.

Change of address is performed via a dip-switch placed at the bottom of the GD30P. This change may only be carried out when the machine is turned off at the main switch.

Addresses between 1 and 16 may be chosen, and Fig. 2 shows the various combinations.

4 DAILY USE

4.1 Pump Connections

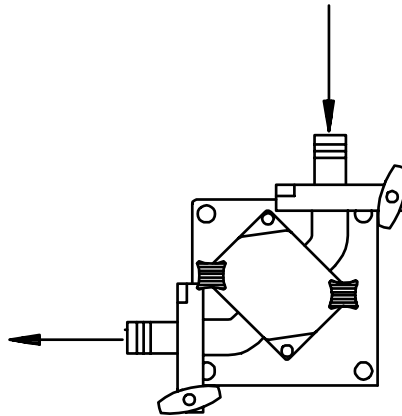


Fig. 3

The dimension of tubes mounted at the inlet and discharge side should minimum be 7/8" and 1/2" respectively.

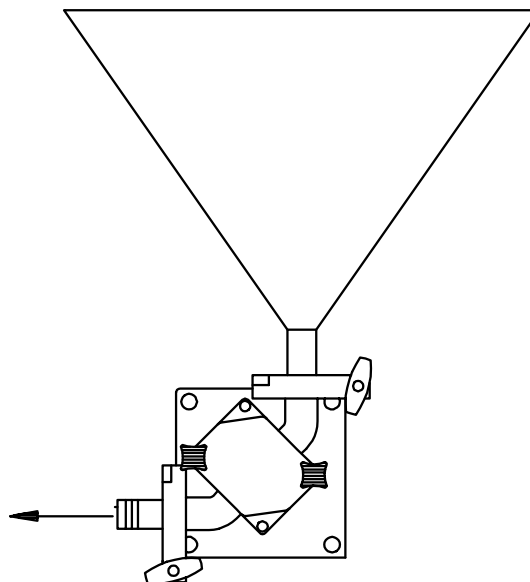


Fig. 4

If the product is of high viscosity, it is necessary to mount a hopper for good product support of the pump - see fig. 4.
The dispenser head is now ready for operation.

5 PROGRAMMING

5.1 Programming principle

In the following, a parameter will be the value of a single function, e.g. volume, or acceleration.

A program will be a complete set of parameters, which together will constitute the GD30P work instructions.

The actual programming will be made on the MC12 and reference is made to the MC12 manual.

5.2 GD30P parameters

1. Volume

Value: ml

Range: 10 - 9999 ml

GD30P can dispense from 10 to 9999 ml, but for volumes exceeding approx. 1000 ml, the capacity will drop significantly.

If the volume is changed, a recalibration should be made.

2. Velocity:

Range: 30-750 rpm

The velocity must be adjusted to the viscosity of the product, and fig. 6 gives a guideline for this.

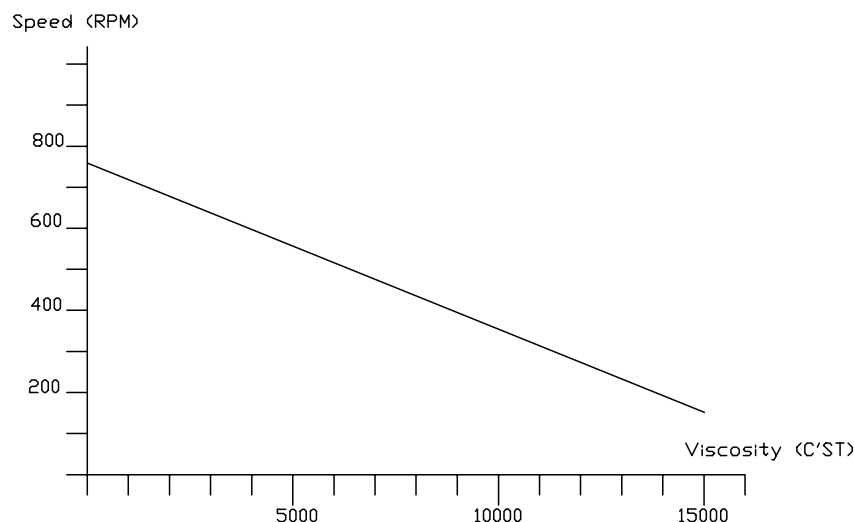


Fig. 5

In case of large velocity changes or big changes in the dispense volume a recalibration should be carried out.

3. Acceleration/deceleration

Value: An integral number

Range: 1 - 100

The acceleration and the deceleration will always be the same. The lowest value (1) will give the slowest acceleration, and the highest value (100) will give the fastest acceleration.

If the acceleration is changed, a recalibration should be made.

4. Reversing (back suction)

Value: An integral number

Range: 0 - 10

If the pump is moved a little backwards (reversing) after the completion of fillings, a minor back suction will be created. This can prevent dripping from the filling needle.

The value "0" will give no reversing, but the value "10" will give maximum reversing.

ALWAYS make a recalibration if the reversing value is altered.

For other programming possibilities, reference is made to the MC12 manual.

6 CLEANING AND MAINTENANCE

6.1 Daily cleaning

Daily cleaning will not be necessary except for the normal routine cleaning of production equipment. Liquids must NOT be splashed onto GD30P. It may only be cleaned with a damp piece of paper or cloth.

6.2 Maintenance

As all movable parts in GD30P are maintenance-free, no maintenance is required apart from normal cleaning of the equipment.

If service should be needed, please contact your supplier or Flexicon A/S.

6.3 Disposal:

The machines can be disposed in the same way as Personal Computers.

7 INTERFACE AND CHANGE OF POWER

7.1 Interface

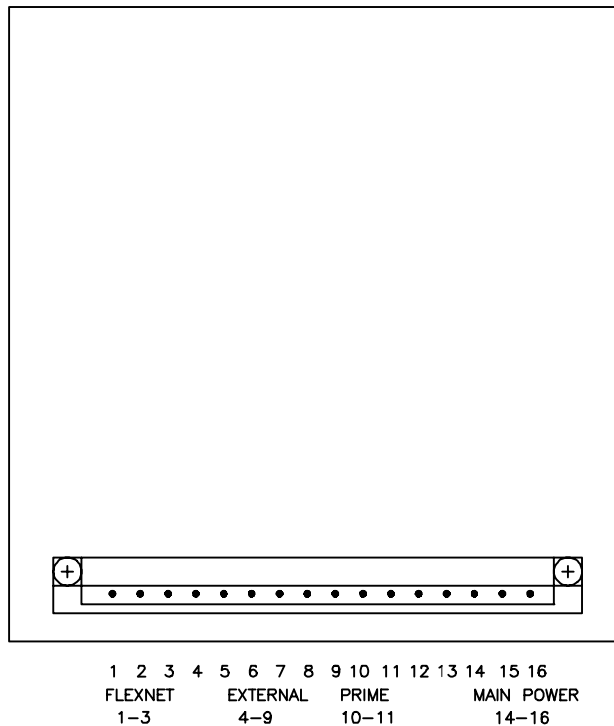


Fig. 6

- | | | |
|-------------------|--------|------------------------------------------------------------------------|
| (1) Flexnet 1-3: | pin 1. | FLEXNET /DATA
(PIN 1 ON FLEXNET DIN CONNECTOR) |
| | pin 2. | FLEXNET GND
(PIN 3 ON FLEXNET DIN CONNECTOR) |
| | pin 3. | FLEXNET DATA.
(PIN 4 ON FLEXNET DIN CONNECTOR) |
| (2) External 4-9: | pin 4. | START SIGNAL. +5 TO +50 VDC.
POSITIVE EDGE TRIGGERED. |
| | pin 5. | +24 VDC OUTPUT |
| | pin 6. | GROUND |
| | pin 7. | STATUS OUTPUT SIGNAL. OPEN COLLECTOR.
GROUNDED WHEN DRIVE IS ACTIVE |
| | pin 8. | STATUS OUTPUT SIGNAL. OPEN COLLECTOR. |

		GROUNDING WHEN DRIVE IS NOT ACTIVE
	pin 9.	DISABLE SIGNAL. +5 TO +50 VDC. DISPENSING DISABLED WHEN INPUT IS ACTIVE.
(3) Prime 10-11:	pin 10.	PRIME (GROUND)
	pin 11.	/PRIME (DRIVE PRIMING WHEN CONNECTED TO GROUND)
	pin 12.	NOT CONNECTED
	pin 13.	NOT CONNECTED
(4) Main Power 14-16:	pin 14.	MAIN SUPPLY. NEUTRAL
	pin 15.	MAIN SUPPLY. EARTH
	pin 16.	MAIN SUPPLY. LINE

7.2 Change of voltage

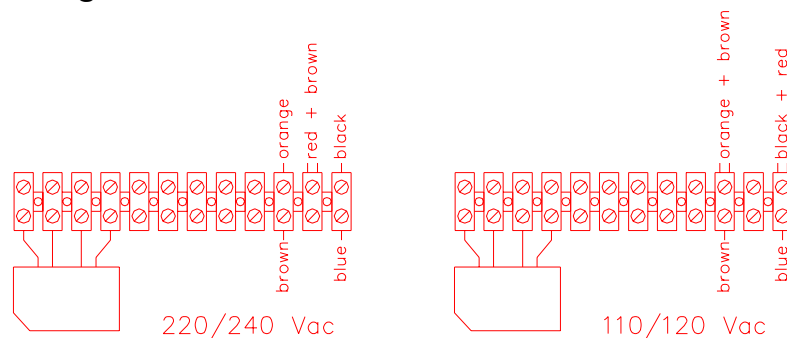


Fig. 7

The GD30P can be converted to accept another supply voltage. The conversion can be made inside the machine by moving the cables of the transformer clamps.

Flexicon A/S
 Odinsvej 5
 DK-4100 Ringsted
 Denmark
 Phone: +45 57671155
 Fax: +45 57670541

8 ANNEX A

Sound pressure level: $L_{Aeq} < 70 \text{ dB(a)}$

COPYRIGHT

Copyright (c) 2006 Flexicon A/S. All rights to this manual belong to Flexicon A/S. Neither the complete manual nor parts of it may be translated, copied, printed or published in any form or by any means without permission in writing from Flexicon A/S

Flexicon A/S is convinced that the information of this manual is correct, but Flexicon A/S cannot be held responsible for it.

Flexicon A/S reserves the right to update and amend this manual without previous notice. Flexicon A/S is under no obligation to update manuals already published.