



Improving your PERFORMANCE

## 621FX/R fixed speed duplex close coupled pump

### Technical information and features

- Doppia testa per flussi doppio canale stabilizzati
- Portata massima di 18 lt/min per singolo canale.
- Protezione IP55
- Il controllo elettronico consente il comando remoto, l'utilizzo d'ingressi analogici o RS485.
- Teste 620R e 620RE con rotore CIP/SIP
- Sportello con interblocco di sicurezza
- 2 anni di garanzia



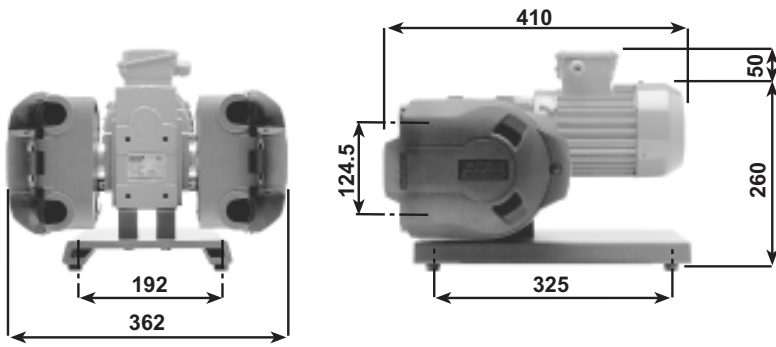
### 621FX/R (litre/min), per singola testa

Testa 620R 2 rulli materiale	Velocità rpm	6.4mm	9.6mm	12.7mm	15.9mm
Marpene, Bioprene	76 / 259	0.99 / 3.37	1.90 / 6.48	3.04 / 10.36	4.15 / 11.5
Silicone	76 / 259	0.91 / 3.11	2.05 / 6.99	3.19 / 10.9	4.67 / 14.7
Neoprene, STA-PURE	76 / 259	0.91 / 3.11	1.90 / 6.48	3.04 / 10.4	4.64 / 15.8

Note: 621FX drive can also be fitted with the 625L high accuracy low pulse pumphead.

### Tube life (hours) for 620RE and 620R two roller pumpheads with water @ 20C 100rpm rotor speed

BiopreneTL /Marpene TL	6000
STA-PURE	6000
Neoprene	430
Silicone	230
Butyl	100
Tygon	90
Fluorel	70



## 621FX/R fixed speed duplex close coupled pump

Codici		
621FX/R 76rpm 259rpm	Drive + two roller pumphead for 3.2mm wall tube	060.6122.020 060.6152.020
620R	Two roller pumphead for continuous tubing	063.0211.000
620RE	Two roller pumphead for LoadSure™ elements	063.0231.000
620RE4	Four roller pumphead for LoadSure™ elements	063.0431.000

Tubing product codes for 620R pumphead							
mm	"	#	Marprene	Bioprene	Perossido Silicone	Platino Silicone	STA-PURE®
6.4	1/4	26	902.0064.032	903.0064.032	910.0064.032	913.0064.032	960.0064.032
9.6	3/8	73	902.0096.032	903.0096.032	910.0096.032	913.0096.032	960.0096.032
12.7	1/2	82	902.0127.032	903.0127.032	910.0127.032	913.0127.032	960.0127.032
15.9	5/8	184	902.0159.032	903.0159.032	910.0159.032	913.0159.032	960.0159.032
mm	"	#	Neoprene	Butyl	Tygon	Fluorel®	
6.4	1/4	26	920.0064.032	930.0064.032	950.0064.032	970.0064.032	
9.6	3/8	73	920.0096.032	930.0096.032	950.0096.032	970.0096.032	
12.7	1/2	82	920.0127.032	930.0127.032	950.0127.032	970.0127.032	
15.9	5/8	184	920.0159.032	930.0159.032	950.0159.032	970.0159.032	

® Fluorel è un marchio registrato da Dyneon LLC, 3M Hoechst Enterprise

® STA-PURE è una marchio registrato da W.L Gore & Associates Inc.

Please state the product code when ordering pumps and tubing.

## Specifiche

<b>Peso</b>	621FX/R: 22kg
<b>Temperatura lavoro</b>	5°C - 40°C
<b>Normative</b>	Max <75dBA a 1m
<b>Standards</b>	CE, BS0800, IEC335-1, EN60529 (IP55)
<b>Alimentazione</b>	230/400V 3ph 50/60Hz

## Testa

<b>Drive:</b>	Cast iron
<b>Motor</b>	Cast iron
<b>Gearbox</b>	Cast iron

## 620R, 620RE, 620RE4 pumpheads

<b>Track</b>	Alluminio con rivestimento epossidico LM24M
<b>Guard</b>	Esterno - Poliuretano PBA Interno - Grilamid TR55
<b>Guard catch</b>	EN34 case hardened Xlan 5200 coated
<b>Rotor:</b>	
<b>Supporto rulli</b>	Fortron 1140L4 (PPS)
<b>Cover</b>	Dupont Hytel G5544
<b>Main rollers</b>	Stainless steel 304
<b>Main roller bearings</b>	Carbon steel
<b>Guide rulli</b>	Nylatron
<b>Morsetti</b>	Polipropilene



Watson-Marlow-Bredel Pumps  
Falmouth  
Cornwall  
England  
TR11 4RU  
Tel: +44 (0) 1326 370370  
Fax: +44 (0) 1326 376009  
www.watson-marlow.com  
Email support4gb@watson-marlow.co.uk