



Improving your PERFORMANCE

621F/R fixed speed close coupled pump

Caratteristiche

- Motore trifase 200/400V AC per applicazioni industriali
- Velocità fissa (inverter optional)
- Portata massima di 18,1 lt/min con elementi 17mm
- Protezione IP55
- Possibilità di adottare 3 diverse teste
- Teste 620R e 620RE con rotore CIP/SIP
- Sportello con interblocco di sicurezza
- 2 anni di garanzia



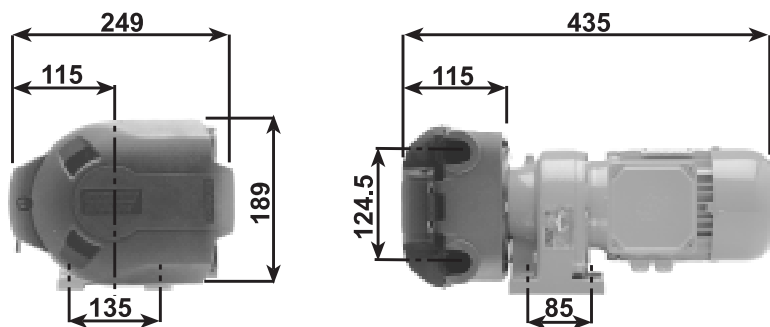
621F/R (litre/min)

Testa 620R 2 rulli materiale	Velocità rpm	6.4mm	9.6mm	12.7mm	15.9mm
Marprene, Bioprene	77 / 251	1.00 / 3.26	1.93 / 6.28	3.08 / 10.0	4.21 / 11.3
Silicone	77 / 251	0.92 / 3.01	2.08 / 6.78	3.23 / 10.5	4.74 / 14.5
Neoprene, STA-PURE	77 / 251	0.92 / 3.01	1.93 / 6.28	3.08 / 10.0	4.70 / 15.3

Note: 621F drive can also be fitted with the 625L high accuracy low pulse pumphead.

Tube life (hours) for 620RE and 620R two roller pumpheads with water @ 20C 100rpm rotor speed

BiopreneTL /Marprene TL	6000
STA-PURE	6000
Neoprene	430
Silicone	230
Butyl	100
Tygon	90
Fluorel	70



621F/R fixed speed close coupled pump

Codici		
621F/R 77 rpm 251 rpm	Drive + two roller pumphead for 3.2mm wall tube	060.8122.020 060.8152.020
620R	Two roller pumphead for continuous tubing	063.0211.000
620RE	Two roller pumphead for LoadSure™ elements	063.0231.000
620RE4	Four roller pumphead for LoadSure™ elements	063.0431.000

Tubing product codes for 620R pumphead							
mm	"	#	Marprene	Bioprene	Perossido Silicone	Platino Silicone	STA-PURE®
6.4	1/4	26	902.0064.032	903.0064.032	910.0064.032	913.0064.032	960.0064.032
9.6	3/8	73	902.0096.032	903.0096.032	910.0096.032	913.0096.032	960.0096.032
12.7	1/2	82	902.0127.032	903.0127.032	910.0127.032	913.0127.032	960.0127.032
15.9	5/8	184	902.0159.032	903.0159.032	910.0159.032	913.0159.032	960.0159.032
mm	"	#	Neoprene	Butyl	Tygon	Fluorel®	
6.4	1/4	26	920.0064.032	930.0064.032	950.0064.032	970.0064.032	
9.6	3/8	73	920.0096.032	930.0096.032	950.0096.032	970.0096.032	
12.7	1/2	82	920.0127.032	930.0127.032	950.0127.032	970.0127.032	
15.9	5/8	184	920.0159.032	930.0159.032	950.0159.032	970.0159.032	

® Fluorel è un marchio registrato da Dyneon LLC, 3M Hoechst Enterprise

® STA-PURE è una marchio registrato da W.L Gore & Associates Inc.
Please state the product code when ordering pumps and tubing.

Specifiche

Peso	621F/R: 18.5kg
Temperatura lavoro	5°C - 40°C
Massima	<75dB a 1m
Normative	CE, BS0800, IEC335-1, EN60529 (IP55)
Alimentazione	220/400V, 3ph 0.55kW

Testa

Drive:	
Motor	Alluminio
Gearbox	Cast iron

620R, 620RE, 620RE4 pumpheads

Track	Alluminio con rivestimento epossidico LM24M
Guard	Esterno - Poliuretano PBA Interno - Grilamid TR55
Guard catch	EN34 case hardened Xlan 5200 coated
Rotor:	
Supporto rulli	Fortron 1140L4 (PPS)
Cover	Dupont Hytrel G5544
Main rollers	Stainless steel 304
Main roller bearings	Carbon steel
Guide rulli	Nylatron
Morsetti	Polipropilene



Watson-Marlow-Bredel Pumps
Falmouth
Cornwall
England
TR11 4RU
Tel: +44 (0) 1326 370370
Fax: +44 (0) 1326 376009
www.watson-marlow.com
Email support4gb@watson-marlow.co.uk