

Tube for GD30 / DF32

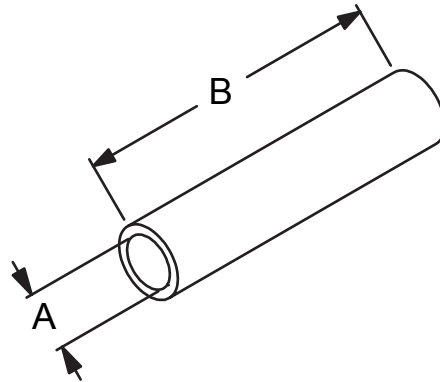
Flexicon
Liquid Filling

Sales manual

Rev.: 04

25.02.2011

AEF



| Tube for GD30 / DF32 – Part number | Description | A (ID) | B (length) (m) |
|---------------------------------------|----------------|--------|--|
| 84-100-050 | Armed PVC tube | 0.50" | Please specify required length upon order! |
| 84-100-075 | Armed PVC tube | 0.75" | |
| 84-100-100 | Armed PVC tube | 1.00" | |
| | | | |