

Certa Plus 250

Certa Plus process pump

Features and benefits

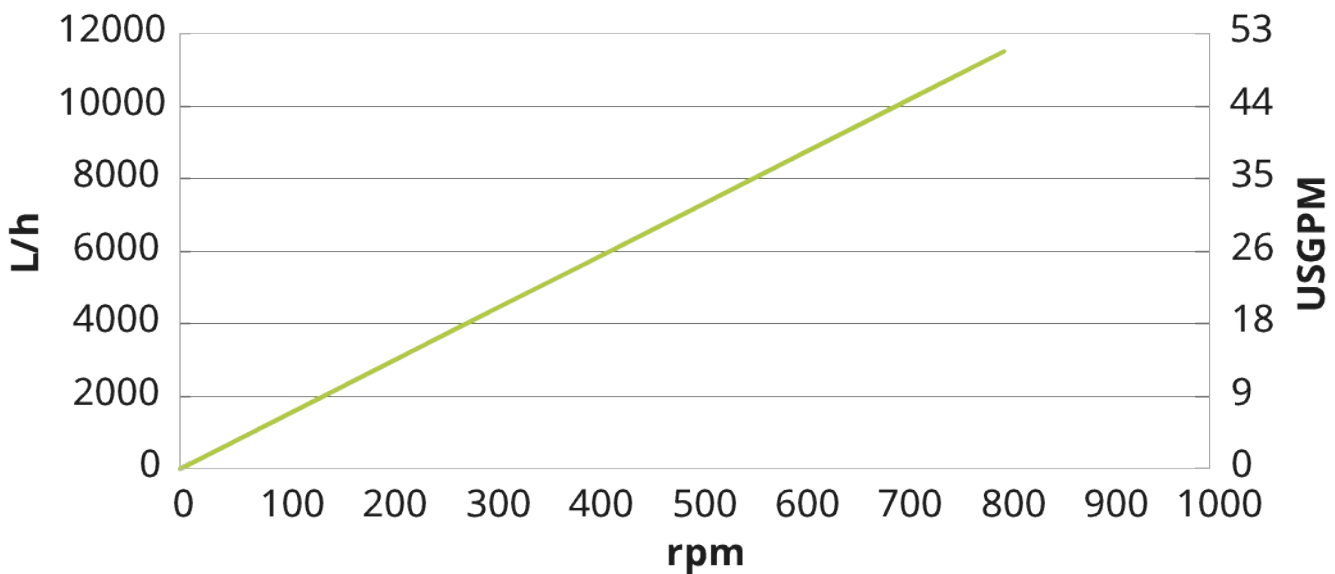
- Gentle product handling preserves high quality of product
- Impressive suction capability
- Almost zero pulsation
- Outstanding energy efficient pumping principle
- Bi-directional running
- Only one shaft and one seal system
- Different port orientations available, including self-draining position
- Traceability back to base materials



Certa Plus 250 performance

Performance curves

These performance curves show the theoretical flow without consideration of slip



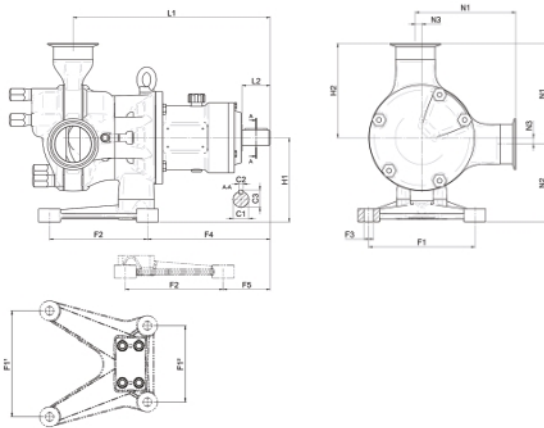
Technical specifications

| | Certa Plus 250 |
|-----------------------------|---|
| Max. flow rate | 11520 L/h |
| Max. flow rate | 50.5 USGPM |
| Volume per revolution | 0.24 L |
| Volume per revolution | 0.063 USG |
| Max. particle size | 22 mm |
| Max. particle size | 0.87 in |
| Suction pressure | 85% of a vacuum |
| Max. operating speed | 800 rpm |
| Max. operating pressure | 6 bar |
| Max. operating pressure | 87 psi |
| Operating temperature range | -20 to 100 °C |
| Operating temperature range | -4 to 212 °F |
| Max. SIP temperature | 121 °C |
| Max. SIP temperature | 250 °F |
| Shaft diameter | 28 mm |
| Shaft diameter | 0.98 in |
| Shaft height | 150 mm |
| Shaft height | 5.91 in |
| Standards | 3-A, ATEX, EHEDG Type EI Class I, EHEDG Type EL Class I Aseptic |
| Certification | EC 1935/2004, FDA, USP ClassVI |
| Port orientation | Various options to meet your requirements |
| Port type | Flange, Milk fitting, RJT, SMS, TC |

Materials of construction

| | Certa Plus 250 |
|---------------|--|
| Housing | Stainless steel 1.4435, Stainless steel 316L |
| Bearing frame | Stainless steel 1.4301, Stainless steel 304 |
| Rotor | Stainless steel 1.4435, Stainless steel 316L |
| Gate | PEEK, PTFE |
| Seals/gaskets | EPDM, FKM |
| Shaft seal | PTFE, SSIC |

Certa Plus 250 dimensions



| Model | Nozzles | | | | | | Foot | | | | | | | | | | Length | | | | Height | | | | Coupling | | | | | |
|-------|---------|------|-------|------|------|------|------|------|-----|------|-----|-------|-----|------|----|------|--------|-------|----|------|--------|------|-----|------|----------|-------|----|------|----|------|
| | N1 | | N2 | | N3 | | F1 | | F2 | | F3 | | F4 | | F5 | | L1 | | L2 | | H1 | | H2 | | C1 | | C2 | | C3 | |
| | mm | in. | mm | in. | mm | in. | mm | in. | mm | in. | mm | in. | mm | in. | mm | in. | mm | in. | mm | in. | mm | in. | mm | in. | mm | in. | mm | in. | mm | in. |
| C250 | 191.5 | 7.54 | 138.5 | 5.45 | 11.5 | 0.45 | 190 | 7.48 | 175 | 6.89 | Ø17 | Ø0.67 | 219 | 8.62 | 84 | 3.31 | 352 | 13.86 | 50 | 1.97 | 150 | 5.91 | 180 | 7.08 | Ø28 | Ø1.10 | 8 | 0.31 | 31 | 1.22 |

Disclaimer: All flow rates shown were obtained pumping water at 20 °C (68 °F) with zero suction and delivery heads. Disclaimer: The information contained in this document is believed to be correct but Watson-Marlow Limited accepts no liability for any errors it contains and reserves the right to alter specifications without notice. Watson-Marlow, MasoSine, Qdos, ReNu, LoadSure, Bioprene, Pumpsil and Marprene are trademarks of Watson-Marlow Limited. STA-PURE PFL® and STA-PURE PCS® are registered trademarks of W.L Gore & Associates Inc. Please state the product code when ordering pumps and tubing.

wmfts.com/global



Friday, May 12, 2023