

FMB210

FMB210 filling and capping machines

Flexicon
Liquid Filling

Features and benefits

- Fill volumes from micro volumes up to 250 ml
- ± 0.5 % filling accuracy on most volumes and capping torque better than ± 10 Ncm
- Less costs for IQ/OQ and process validation
- Proven technology for reliability and easy validation
- Highly accurate filling of volumes from micro-volumes
- Reduced costs for process validation



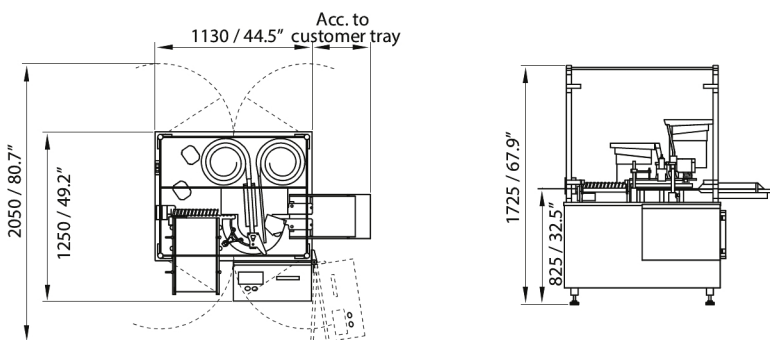
Technical specifications

	FMB210
Filling volume range	0.1-250 ml
Accuracy	± 0.5 %
Capacity	4500 units/hour
Power supply	200-240 VAC single phase and earth
Power consumption	Max 1500 W
Air supply/pneumatic connection	7 bar clean and dry air
Weight	650 kg

Materials of construction

	FMB210
Material	Anodised aluminium, Stainless steel

FMB210 dimensions



Dimensions in mm/inch

Disclaimer: The information in this document is believed to be correct, but Watson-Marlow Flexicon A/S accepts no liability for any errors it contains, and reserves the right to alter specifications without notice. WARNING: These products are not designed for use in, and should not be used for, patient-connected applications. asepticu and Accusil are registered trademarks.

wmfts.com/global



23 May 2023