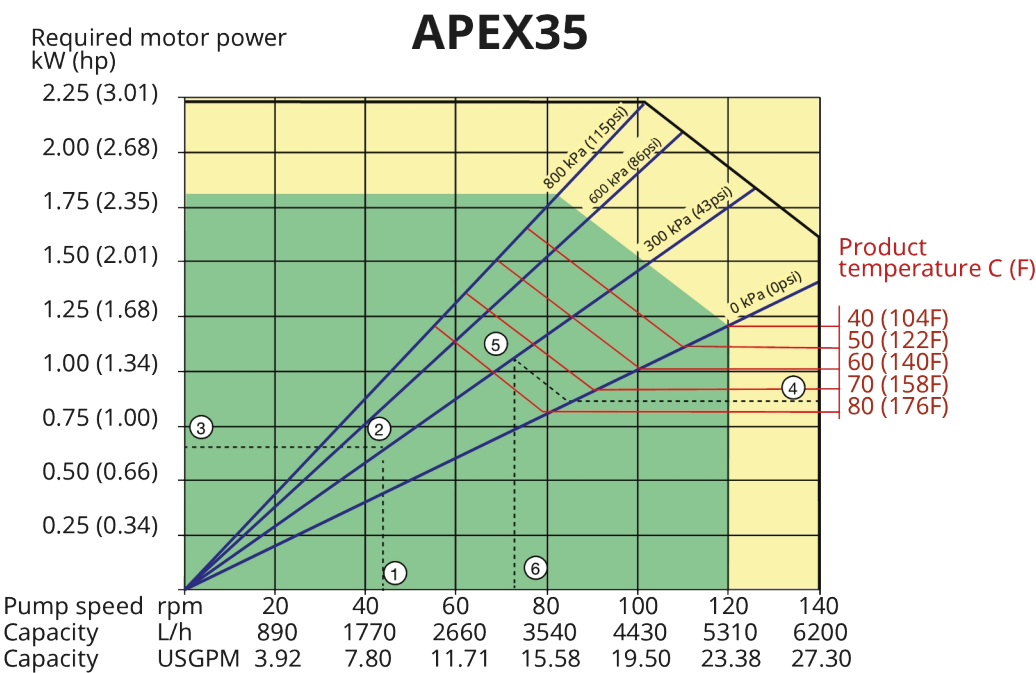


Features and benefits

- Seal-less, valve-less design
- Precision machined hose elements for accurate, repeatable performance
- Optimized hose compression for unmatched flow stability
- Direct-coupled drive and maximum flexibility - no separate couplings to align or maintain
- Ultra compact design with flexibility to mount standard gear motors - rotor supported by own bearings to maximize gearbox life
- Lower maintenance costs - single component change means fewer spare parts inventory

APEX35 performance



1. Flow required indicates pump speed
2. Calculated discharge pressure
3. Net motor power required
4. Product temperature
5. Calculated discharge pressure
6. Maximum recommended pump speed

- Continuous duty
- Intermittent duty

* Maximum 3 hours operation followed by minimum 1 hour stop

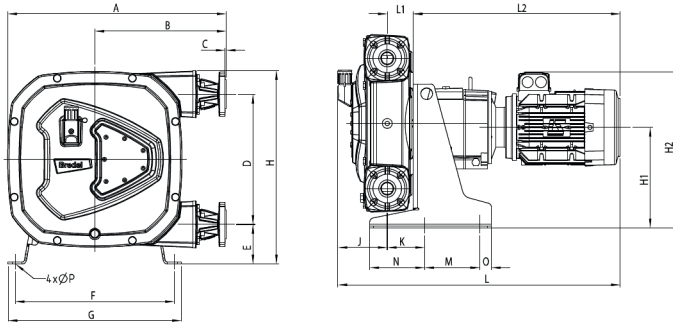
Technical specifications

	APEX35
Max. flow rate continuous	5310 L/h
Max. flow rate continuous	1401 USGPH
Max. flow rate intermittent	6200 L/h
Max. flow rate intermittent	1636 USGPH
Volume per revolution	0.74 L
Volume per revolution	0.195 USG
Max. continuous operating speed	120 rpm
Max. intermittent operating speed	140 rpm
Max. operating pressure	8 bar
Max. operating pressure	116 psi
Suction pressure	0.05 bar abs
Suction pressure	0.73 psi abs
Max. inlet pressure	2.5 bar abs
Max. inlet pressure	37 psi abs
Operating temperature range	-20 to 45 °C
Operating temperature range	-4 to 113 °F
Fluid temperature range	-20 to 80 °C
Fluid temperature range	-4 to 176 °F
Min. starting torque	230 N m
Min. starting torque	2040 in.lbs
Weight	140 kg
Weight	309 lbs
Hose lubricant required	4 L
Hose lubricant required	1.05 USG
Port configurations	Down, Left, Right, Up
Compatible hose materials	EPDM, NBR, NBR for food, NR
Flange assembly type	ANSI, DIN, JIS

Materials of construction

	APEX35
Hose material	EPDM, NBR, NBR for food, NR
Housing	Cast iron
Rotor assembly	Die-cast aluminum
Cover assembly	Die-cast aluminum
Brackets	Cast iron, Stainless steel AISI 316
Fasteners	Galvanized steel, Stainless steel AISI 316
Support frame	Galvanized steel, Stainless steel AISI 316L
Coupling bush	Alloy steel
Seals	NBR

APEX35 dimensions



	A	B	C	D	E	F	G	H	H1	H2max	J	K	Lmax	L1	L2max	M	N	O	ØP	
APEX35 (mm)	557	335	2.5	330	100	406	442	490	255	373	126	95	734	66	528	140	140	30	12	
APEX35 (inch)	21.9	13.2	0.1	13.0	3.9	16.0	17.4	19.3	10.0	14.7	5.0	3.7	28.9	2.6	20.8	5.5	5.5	1.2	0.5	
Connector sizes	ASME B16.5, 150# (ANSI)							EN 1092-1, PN40 (DIN)					JIS B2220, 10/16/20 kgf/cm²							
APEX35	DN 1.5"							DN 32					32mm							

Disclaimer: The information contained in this document is believed to be correct at the time of publication, but Watson-Marlow Bredel BV accepts no liability for any error it contains, and reserves the right to alter specifications without prior notice. All mentioned values in this document are values under controlled circumstances at our test bed. Actual flow rates achieved may vary because of changes in temperature, viscosity, inlet and discharge pressures and/or system configuration. APEX, DuCoNite, Bioprene and Bredel are registered trademarks.

wmfts.com/global



22 November 2023