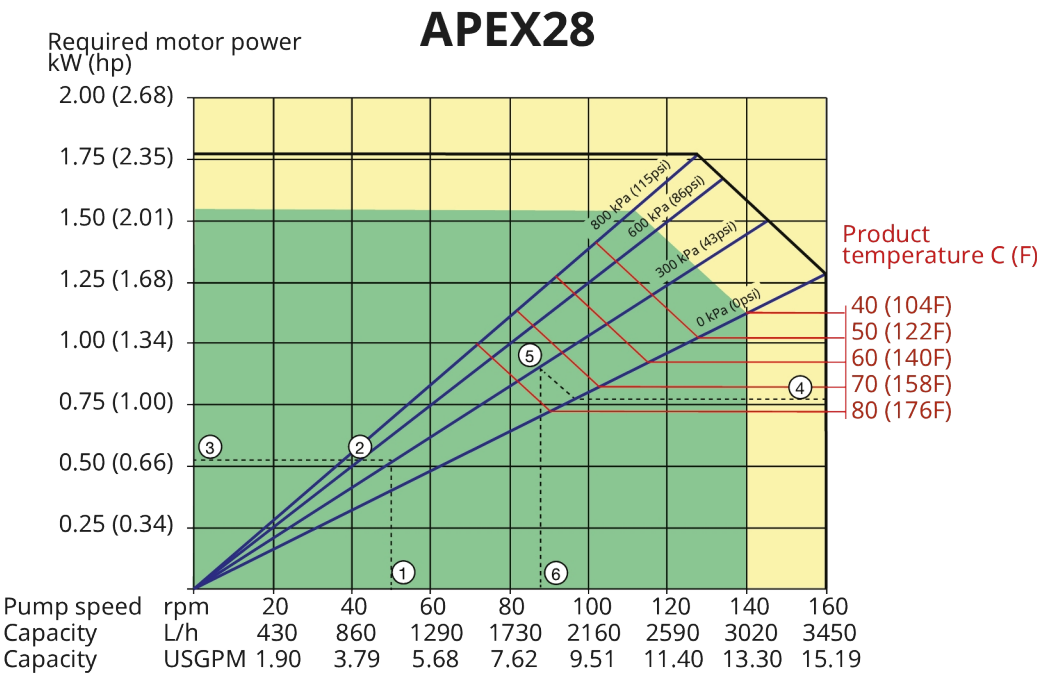


## Features and benefits

- Seal-less, valve-less design
- Precision machined hose elements for accurate, repeatable performance
- Optimized hose compression for unmatched flow stability
- Direct-coupled drive and maximum flexibility - no separate couplings to align or maintain
- Ultra compact design with flexibility to mount standard gear motors - rotor supported by own bearings to maximize gearbox life
- Lower maintenance costs - single component change means fewer spare parts inventory

## APEX28 performance



1. Flow required indicates pump speed
2. Calculated discharge pressure
3. Net motor power required
4. Product temperature
5. Calculated discharge pressure
6. Maximum recommended pump speed

- Continuous duty
- Intermittent duty

\* Maximum 3 hours operation followed by minimum 1 hour stop

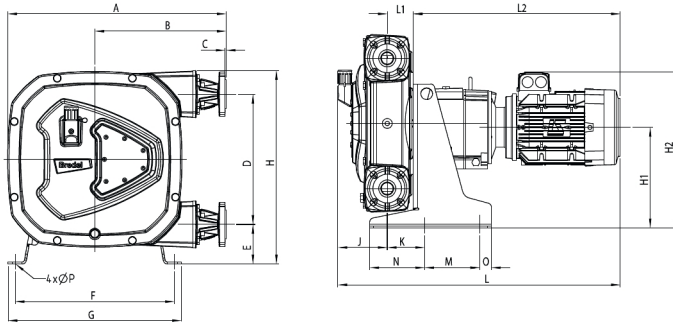
## Technical specifications

	APEX28
Max. flow rate continuous	3020 L/h
Max. flow rate continuous	797 USGPH
Max. flow rate intermittent	3450 L/h
Max. flow rate intermittent	910 USGPH
Volume per revolution	0.36 L
Volume per revolution	0.095 USG
Max. continuous operating speed	140 rpm
Max. intermittent operating speed	160 rpm
Max. operating pressure	8 bar
Max. operating pressure	116 psi
Suction pressure	0.05 bar abs
Suction pressure	0.73 psi abs
Max. inlet pressure	2.5 bar abs
Max. inlet pressure	37 psi abs
Operating temperature range	-20 to 45 °C
Operating temperature range	-4 to 113 °F
Fluid temperature range	-20 to 80 °C
Fluid temperature range	-4 to 176 °F
Min. starting torque	150 N m
Min. starting torque	1330 in.lbs
Weight	100 kg
Weight	220 lbs
Hose lubricant required	2 L
Hose lubricant required	0.53 USG
Port configurations	Down, Left, Right, Up
Compatible hose materials	EPDM, NBR, NBR for food, NR
Flange assembly type	ANSI, DIN, JIS

## Materials of construction

	APEX28
Hose material	EPDM, NBR, NBR for food, NR
Housing	Cast iron
Rotor assembly	Die-cast aluminum
Cover assembly	Die-cast aluminum
Brackets	Cast iron, Stainless steel AISI 316
Fasteners	Galvanised steel, Stainless steel AISI 316
Support frame	Galvanized steel, Stainless steel AISI 316L
Coupling bush	Alloy steel
Seals	NBR

## APEX28 dimensions



	A	B	C	D	E	F	G	H	H1	H2max	J	K	Lmax	L1	L2max	M	N	O	ØP	
APEX28 (mm)	481	297	2.5	264	98	338	370	415	221	359	124	82.5	714	63	528	152	121	27	12	
APEX28 (inch)	18.9	11.7	0.1	10.4	3.9	13.3	14.6	16.3	8.7	14.1	4.9	3.2	28.1	2.5	20.8	6.0	4.8	1.1	0.5	
<b>Connector sizes</b>	<b>ASME B16.5, 150# (ANSI)</b>				<b>EN 1092-1, PN40 (DIN)</b>				<b>JIS B2220, 10/16/20 kgf/cm<sup>2</sup></b>											
APEX28	DN 1"				DN 25				25mm											

Disclaimer: The information contained in this document is believed to be correct at the time of publication, but Watson-Marlow Bredel BV accepts no liability for any error it contains, and reserves the right to alter specifications without prior notice. All mentioned values in this document are values under controlled circumstances at our test bed. Actual flow rates achieved may vary because of changes in temperature, viscosity, inlet and discharge pressures and/or system configuration. APEX, DuCoNite, Bioprene and Bredel are registered trademarks.

[wmfts.com/global](http://wmfts.com/global)



22 November 2023